

# *Spare Parts Catalogue*

---

Version: 2009/09/02a EN





**Yes, you can.®**

## **General Information**

*For any order of spare parts the following information is required:*

- Product type*
- Product name & model*
- Serial Number*
- Part-Number*
- Part-Description*

*Exploded view drawings and code numbers are not contractual and subject to modification, in relation to Invacare® continuous product improvement policy to meet end users needs.*

*The reproduction or use of this work, or of any substantial part of this work, in any form or by any electronic, mechanical or other means, including photocopying, scanning and recording, and in any information storage and retrieval system, including electronic transmission, is forbidden without the prior written permission of Invacare® International Sarl.*



Yes, you can.®

## TABLE OF CONTENTS

---

### Information

|                                     |    |
|-------------------------------------|----|
| User Manuals Storm4 .....           | 7  |
| User Manuals REM550 .....           | 8  |
| User Manuals IDC Dual Control ..... | 9  |
| User Manuals REM 24SD .....         | 10 |
| User Manuals REM A & REM B .....    | 11 |
| User Manuals G91 .....              | 12 |
| User Manuals G90 .....              | 13 |

### Chassis

|                          |    |
|--------------------------|----|
| Chassis Fittings .....   | 14 |
| Transportfixation .....  | 15 |
| Suspensions .....        | 16 |
| Shrouds .....            | 17 |
| Shroud spring seat ..... | 18 |

### Seat

|                              |    |
|------------------------------|----|
| Seatcolumn / -raiser .....   | 19 |
| Seattilt .....               | 20 |
| Seatplates .....             | 21 |
| Seatplate Recaro .....       | 22 |
| Seatplates Arne Jensen ..... | 23 |
| Seatcushion .....            | 24 |

### Backrest

|                                 |    |
|---------------------------------|----|
| Recaro Seat .....               | 26 |
| Backrestadjusting .....         | 27 |
| Backrest Cushion .....          | 28 |
| Backplate Easy-Adapt .....      | 29 |
| Standard .....                  | 30 |
| Arne-Jensen Seats .....         | 31 |
| Push Handles .....              | 32 |
| "Universal"-Backrestframe ..... | 33 |

### Legrest / Hangers

|  |    |
|--|----|
| Legrest Support 07/2005 ==> .....          | 34 |
| Central Legrest, manuell .....             | 35 |
| Central Legrest, electric .....            | 36 |
| Hanger Vari A RH/LH 04/2009 ==> .....      | 37 |
| Vari F Hanger RH/LH .....                  | 38 |
| ADE Hanger RH/LH manual .....              | 39 |
| ADE Hanger RH/LH Electr. 07.2005 ==> ..... | 40 |

### Footplates / Support Tubes

|   |    |
|---|----|
| Support Tube with Footplate for central Legrest ..... | 41 |
| Lower Footrests .....                                 | 42 |

### Siderests



Yes, you can.®

## TABLE OF CONTENTS

---

|  |    |
|--|----|
| Siderests Standard .....                     | 43 |
| Side Panels for Arne Jensen-Seats .....      | 44 |
| <b>Front- / Rear Wheel</b>                   |    |
| Front Fork .....                             | 45 |
| Front Wheels .....                           | 46 |
| Anti-Tipper .....                            | 47 |
| Mud Guard .....                              | 48 |
| Drive Wheel .....                            | 49 |
| <b>Propulsion</b>                            |    |
| Propulsion .....                             | 50 |
| <b>Electronic</b>                            |    |
| Powermodule ACS 2 .....                      | 51 |
| ACT for ACS 2 .....                          | 52 |
| Lightboard .....                             | 53 |
| <b>Control Units</b>                         |    |
| Remote REM24SD & Holder .....                | 54 |
| Remotes REM A & REM B & Holder .....         | 55 |
| Remote REM550 & Holder .....                 | 56 |
| G90 & Holder .....                           | 57 |
| G91 & Holder .....                           | 58 |
| IDC Dual Control .....                       | 59 |
| Chin Control .....                           | 60 |
| REM34 (Dolphin) .....                        | 61 |
| Remote fixation, for Attendant Control ..... | 62 |
| Tray .....                                   | 63 |
| Remote Holder .....                          | 64 |
| Attendant Control .....                      | 65 |
| <b>Cable &amp; Charger</b>                   |    |
| Batterys & Charger .....                     | 66 |
| <b>Safety Options</b>                        |    |
| LED-Frontlight .....                         | 67 |
| Frontlight .....                             | 68 |
| LED-Rearlight .....                          | 69 |
| Rearlight .....                              | 70 |
| Retaining belts .....                        | 71 |
| <b>Seating Options</b>                       |    |
| Trunk Support .....                          | 72 |
| Headrest with Cheeksupport .....             | 73 |
| Headrest & Bracket .....                     | 74 |
| Headrestholder EasyAdapt Seat .....          | 75 |
| Headrest, sidewise adjustable .....          | 76 |



**Yes, you can.®**

## **TABLE OF CONTENTS**

---

### **Other Options & Accessories**

|                     |    |
|---------------------|----|
| Kerb Climber .....  | 77 |
| Crutch Holder ..... | 78 |
| Options .....       | 79 |



|                 |                   |                |
|-----------------|-------------------|----------------|
| CS ČESKY        | FR FRANÇAIS       | PL POLSKI      |
| DA DANSK        | HR HRVATSKI       | PT PORTUGUÊS   |
| DE DEUTSCH      | HU MAGYAR         | SK SLOVENČINA  |
| EN ENGLISH      | IT ITALIANO       | SL SLOVENŠČINA |
| ES ESPAÑOL      | LT LIETUVIŲ KALBA | SV SVENSKA     |
| ET EESTI KEEL   | NL NEDERLANDS     | RO ROMÂNĂ      |
| FI SUOMEN KIELI | NO NORSK          | JA 日本語         |

| Pos. | Part number | Description                    | Valid from → until | Qty |
|------|-------------|--------------------------------|--------------------|-----|
|      | EN 1529686  | User Manual Storm4 English     |                    | 1   |
|      | DE 1529687  | User Manual Storm4 German      |                    | 1   |
|      | FR 1529688  | User Manual Storm4 French      |                    | 1   |
|      | IT 1529689  | User Manual Storm4 Italian     |                    | 1   |
|      | ES 1529690  | User Manual Storm4 Spanish     |                    | 1   |
|      | NL 1529700  | User Manual Storm4 Dutch       |                    | 1   |
|      | SV 1529701  | User Manual Storm4 Swedish     |                    | 1   |
|      | FI 1529702  | User Manual Storm4 Finsk       |                    | 1   |
|      | NO 1529703  | User Manual Storm4 Norsk       |                    | 1   |
|      | DA 1529704  | User Manual Storm4 Danish      |                    | 1   |
|      | CS 1532570  | User Manual Storm 4 Czech      |                    | 1   |
|      | PL 1532571  | User Manual Storm 4 Polish     |                    | 1   |
|      | SL 1532634  | User Manual Storm 4 Slovenian  |                    | 1   |
|      | LT 1532635  | User Manual Storm 4 Lithuanian |                    | 1   |

## User Manuals REM550

|    |              |    |                |    |             |
|----|--------------|----|----------------|----|-------------|
| CS | ČESKY        | FR | FRANÇAIS       | PL | POLSKI      |
| DA | DANSK        | HR | HRVATSKI       | PT | PORTUGUÊS   |
| DE | DEUTSCH      | HU | MAGYAR         | SK | SLOVENČINA  |
| EN | ENGLISH      | IT | ITALIANO       | SL | SLOVENŠČINA |
| ES | ESPAÑOL      | LT | LIETUVIŲ KALBA | SV | SVENSKA     |
| ET | EESTI KEEL   | NL | NEDERLANDS     | RO | ROMÂNĂ      |
| FI | SUOMEN KIELI | NO | NORSK          | JA | 日本語         |

| Pos. | Part number | Description                   | Valid from → until | Qty |
|------|-------------|-------------------------------|--------------------|-----|
| SV   | 1528098     | User Manual REM550 Swedish    |                    | 1   |
| FI   | 1528092     | User Manual REM550 Finsk      |                    | 1   |
| DE   | 1528089     | User Manual REM550 German     |                    | 1   |
| PT   | 1528097     | User Manual REM550 Portuguese |                    | 1   |
| ES   | 1528091     | User Manual REM550 Spanish    |                    | 1   |
| FR   | 1528093     | User Manual REM550 French     |                    | 1   |
| NO   | 1528096     | User Manual REM550 Norsk      |                    | 1   |
| NL   | 1528095     | User Manual REM550 Dutch      |                    | 1   |
| IT   | 1528094     | User Manual REM550 Italiano   |                    | 1   |
| DA   | 1528088     | User Manual REM550 Danish     |                    | 1   |



# User Manuals IDC Dual Control

|    |              |    |                |    |             |
|----|--------------|----|----------------|----|-------------|
| CS | ČESKY        | FR | FRANÇAIS       | PL | POLSKI      |
| DA | DANSK        | HR | HRVATSKI       | PT | PORTUGUÊS   |
| DE | DEUTSCH      | HU | MAGYAR         | SK | SLOVENČINA  |
| EN | ENGLISH      | IT | ITALIANO       | SL | SLOVENŠČINA |
| ES | ESPAÑOL      | LT | LIETUVIŲ KALBA | SV | SVENSKA     |
| ET | EESTI KEEL   | NL | NEDERLANDS     | RO | ROMÂNĂ      |
| FI | SUOMEN KIELI | NO | NORSK          | JA | 日本語         |

| Pos. | Part number | Description                         | Valid from → until | Qty |
|------|-------------|-------------------------------------|--------------------|-----|
|      | DE 1521480  | User Manual Dual-Control German     |                    | 1   |
|      | EN 1521481  | User Manual Dual-Control English    |                    | 1   |
|      | FR 1521482  | User Manual Dual-Control French     |                    | 1   |
|      | NL 1521483  | User Manual Dual-Control Dutch      |                    | 1   |
|      | ES 1522255  | User Manual Dual-Control Spanish    |                    | 1   |
|      | PT 1522254  | User Manual Dual-Control Portuguese |                    | 1   |
|      | SV 1521485  | User Manual Dual-Control Swedish    |                    | 1   |
|      | NO 1521484  | User Manual Dual-Control Norwegian  |                    | 1   |
|      | DA 1521486  | User Manual Dual-Control Danish     |                    | 1   |
|      | IT 1522252  | User Manual Dual-Control Italian    |                    | 1   |

# User Manuals REM 24SD

|    |              |    |                |    |             |
|----|--------------|----|----------------|----|-------------|
| CS | ČESKY        | FR | FRANÇAIS       | PL | POLSKI      |
| DA | DANSK        | HR | HRVATSKI       | PT | PORTUGUÊS   |
| DE | DEUTSCH      | HU | MAGYAR         | SK | SLOVENČINA  |
| EN | ENGLISH      | IT | ITALIANO       | SL | SLOVENŠČINA |
| ES | ESPAÑOL      | LT | LIETUVIŲ KALBA | SV | SVENSKA     |
| ET | EESTI KEEL   | NL | NEDERLANDS     | RO | ROMÂNĂ      |
| FI | SUOMEN KIELI | NO | NORSK          | JA | 日本語         |

| Pos. | Part number | Description                    | Valid from → until | Qty |
|------|-------------|--------------------------------|--------------------|-----|
| DE   | 1436142     | User Manual REM24SD German     |                    | 1   |
| EN   | 1436144     | User Manual REM24SD English    |                    | 1   |
| FR   | 1436143     | User Manual REM24SD French     |                    | 1   |
| NL   | 1436148     | User Manual REM24SD Dutch      |                    | 1   |
| ES   | 1436149     | User Manual REM24SD Spanish    |                    | 1   |
| PT   | 1436150     | User Manual REM24SD Portuguese |                    | 1   |
| FI   | 1436386     | User Manual REM24SD Finnish    |                    | 1   |
| SV   | 1436145     | User Manual REM24SD Swedish    |                    | 1   |
| NO   | 1436147     | User Manual REM24SD Norwegian  |                    | 1   |
| DA   | 1436146     | User Manual REM24SD Danish     |                    | 1   |
| IT   | 1436385     | User Manual REM24SD Italian    |                    | 1   |

**User Manuals REM A & REM B**

|    |              |    |                |    |             |
|----|--------------|----|----------------|----|-------------|
| CS | ČESKY        | FR | FRANÇAIS       | PL | POLSKI      |
| DA | DANSK        | HR | HRVATSKI       | PT | PORTUGUÊS   |
| DE | DEUTSCH      | HU | MAGYAR         | SK | SLOVENČINA  |
| EN | ENGLISH      | IT | ITALIANO       | SL | SLOVENŠČINA |
| ES | ESPAÑOL      | LT | LIETUVIŲ KALBA | SV | SVENSKA     |
| ET | EESTI KEEL   | NL | NEDERLANDS     | RO | ROMÂNĂ      |
| FI | SUOMEN KIELI | NO | NORSK          | JA | 日本語         |

| Pos. | Part number | Description                      | Valid from → until | Qty |
|------|-------------|----------------------------------|--------------------|-----|
| DA   | 1529171     | User Manual REM A & B Dansk      |                    | 1   |
| DE   | 1529172     | User Manual REM A & B German     |                    | 1   |
| EN   | 1529173     | User Manual REM A & B English    |                    | 1   |
| ES   | 1529174     | User Manual REM A & B Spanish    |                    | 1   |
| FI   | 1529228     | User Manual REM A & B Finsk      |                    | 1   |
| FR   | 1529229     | User Manual REM A & B French     |                    | 1   |
| IT   | 1529230     | User Manual REM A & B Italian    |                    | 1   |
| NL   | 1529231     | User Manual REM A & B Dutch      |                    | 1   |
| NO   | 1529232     | User Manual REM A & B Norsk      |                    | 1   |
| PT   | 1529233     | User Manual REM A & B Portuguese |                    | 1   |
| SV   | 1529234     | User Manual REM A & B Swedish    |                    | 1   |

# User Manuals G91

|    |              |    |                |    |             |
|----|--------------|----|----------------|----|-------------|
| CS | ČESKY        | FR | FRANÇAIS       | PL | POLSKI      |
| DA | DANSK        | HR | HRVATSKI       | PT | PORTUGUÊS   |
| DE | DEUTSCH      | HU | MAGYAR         | SK | SLOVENČINA  |
| EN | ENGLISH      | IT | ITALIANO       | SL | SLOVENŠČINA |
| ES | ESPAÑOL      | LT | LIETUVIŲ KALBA | SV | SVENSKA     |
| ET | EESTI KEEL   | NL | NEDERLANDS     | RO | ROMÂNĂ      |
| FI | SUOMEN KIELI | NO | NORSK          | JA | 日本語         |

| Pos. | Part number | Description             | Valid from → until | Qty |
|------|-------------|-------------------------|--------------------|-----|
| EN   | 1524543     | User Manual G91 English |                    | 1   |

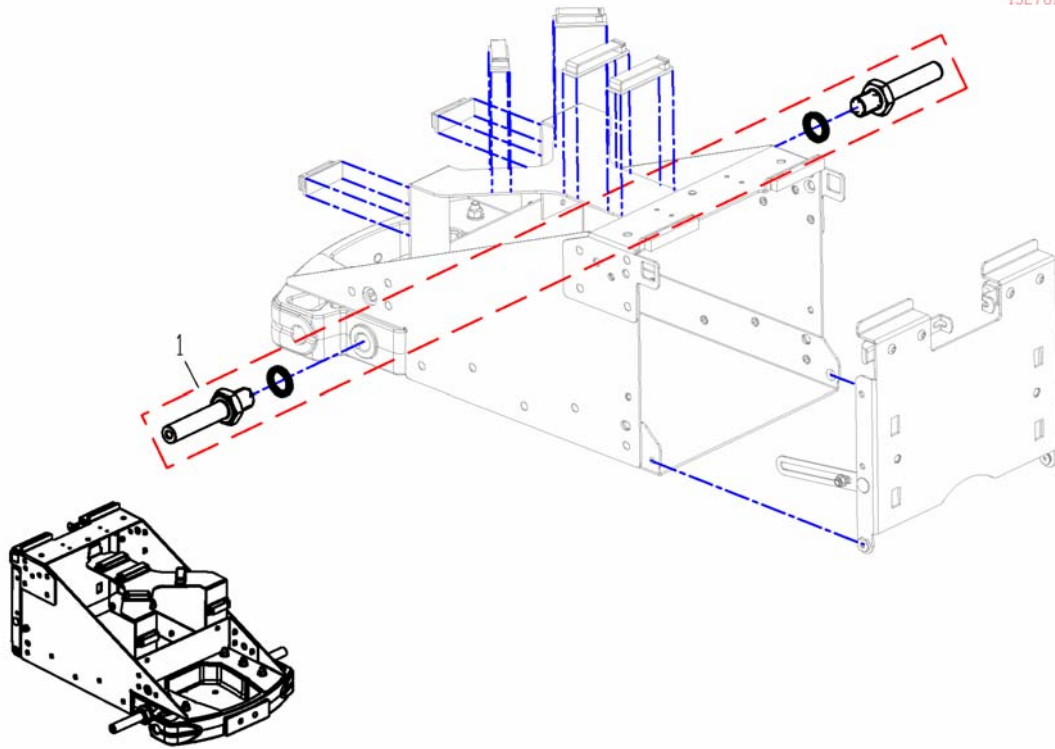
**User Manuals G90**

|    |              |    |                |    |             |
|----|--------------|----|----------------|----|-------------|
| CS | ČESKY        | FR | FRANÇAIS       | PL | POLSKI      |
| DA | DANSK        | HR | HRVATSKI       | PT | PORTUGUÊS   |
| DE | DEUTSCH      | HU | MAGYAR         | SK | SLOVENČINA  |
| EN | ENGLISH      | IT | ITALIANO       | SL | SLOVENŠČINA |
| ES | ESPAÑOL      | LT | LIETUVIŲ KALBA | SV | SVENSKA     |
| ET | EESTI KEEL   | NL | NEDERLANDS     | RO | ROMÂNĂ      |
| FI | SUOMEN KIELI | NO | NORSK          | JA | 日本語         |

| Pos. | Part number | Description             | Valid from → until | Qty |
|------|-------------|-------------------------|--------------------|-----|
| EN   | 1523674     | User Manual G90 English |                    | 1   |

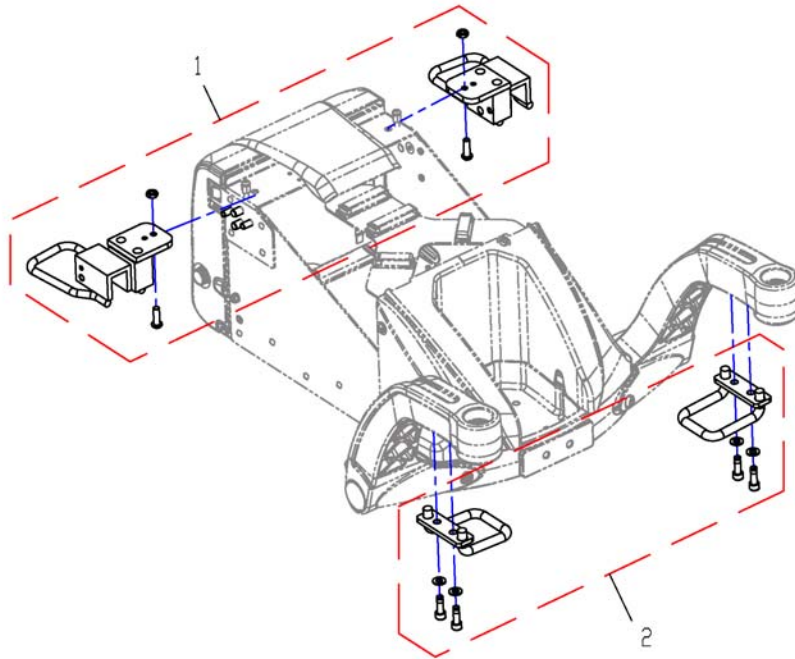
# Chassis Fittings

1527810X.dwg



| Pos. | Part number | Description | Valid from → until | Qty |
|------|-------------|-------------|--------------------|-----|
| 1    | SP1530317   | Main Bolt   |                    | 1   |

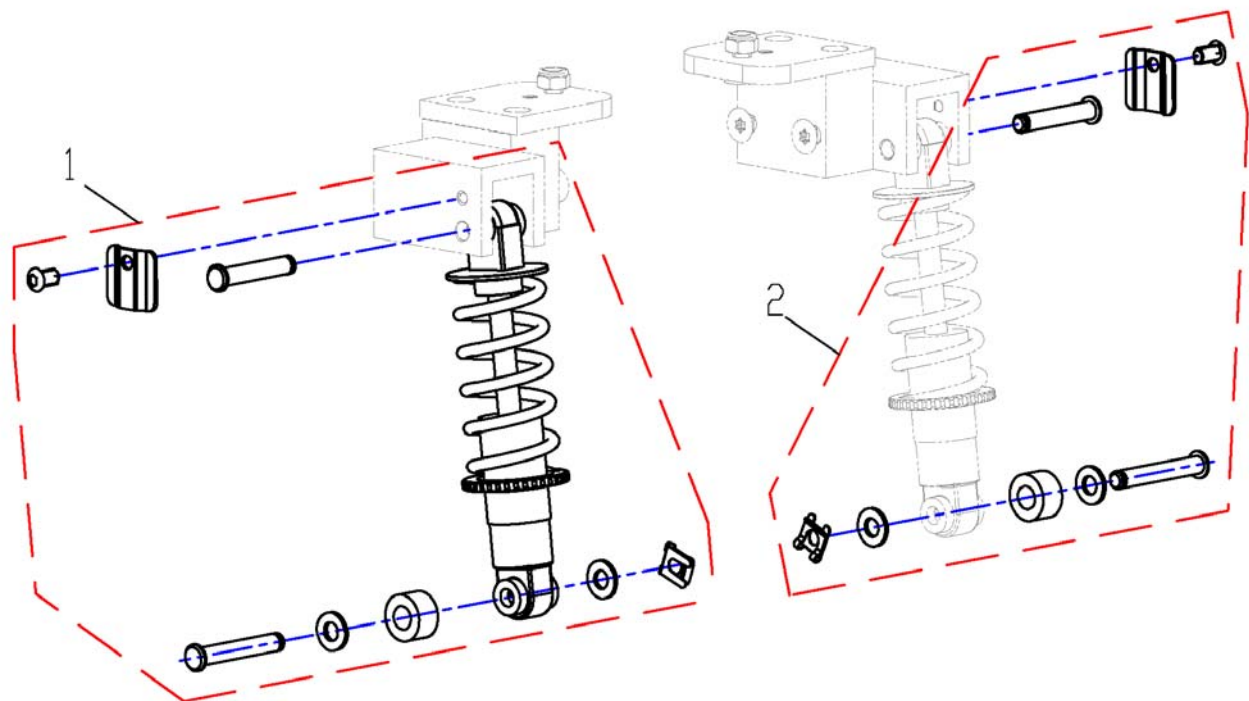
1528974X.dwg



| Pos. | Part number | Description             | Valid from → until | Qty |
|------|-------------|-------------------------|--------------------|-----|
| 1    | SP1528951   | Transportfixation rear  |                    | 1   |
| 2    | SP1528974   | Transportfixation front |                    | 1   |

# Suspensions

1528998X.dwg

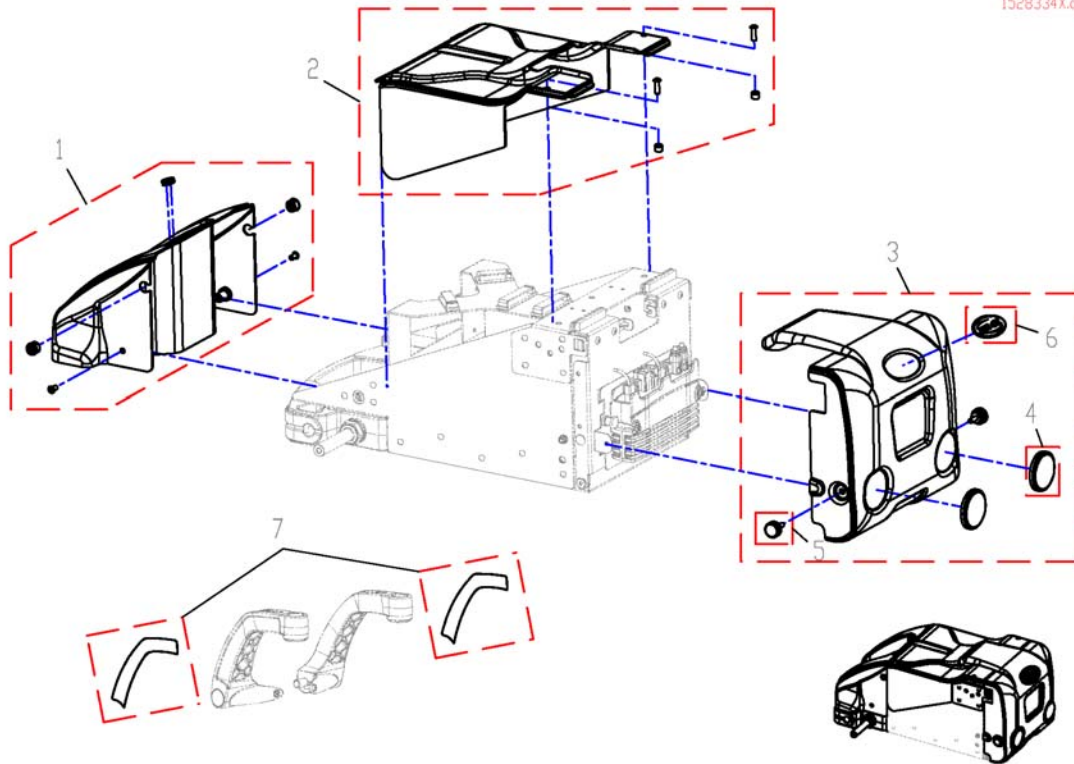


| Pos. | Part number | Description                  | Valid from → until | Qty |
|------|-------------|------------------------------|--------------------|-----|
| 1    | SP1530318   | Shock absorber, soft, cpl.   |                    | 1   |
| 1    | SP1530337   | Shock absorber, middle, cpl. |                    | 1   |
| 1    | SP1530338   | Shock absorber, hard, cpl.   |                    | 1   |
| 2    | SP1530444   | Mounting-Kit                 |                    | 1   |



# Shrouds

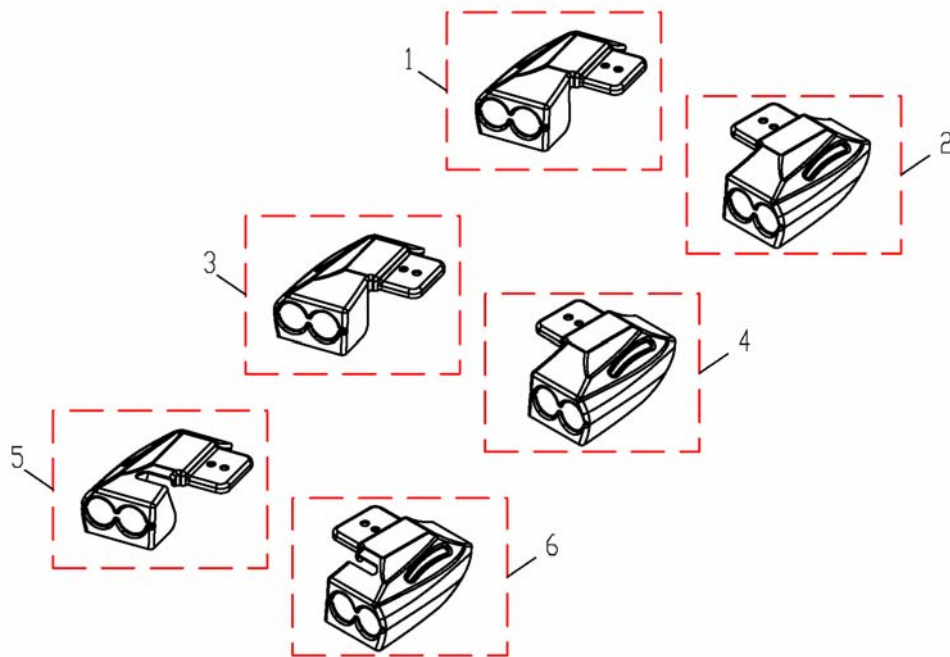
1528334X.dwg



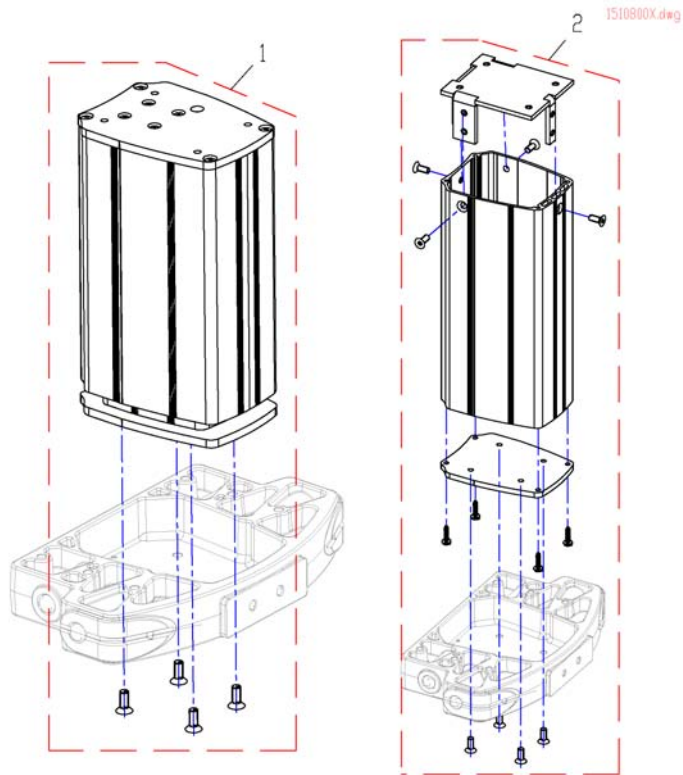
| Pos. | Part number | Description                          | Valid from → until | Qty |
|------|-------------|--------------------------------------|--------------------|-----|
| 1    | SP1530339   | Front Shroud, cpl., Blue (RAL 5026)  |                    | 1   |
| 1    | SP1530340   | Front Shroud, cpl., Black (RAL 9005) |                    | 1   |
| 1    | SP1530341   | Front Shroud, cpl., Champagne        |                    | 1   |
| 1    | SP1530342   | Front Shroud, cpl., Red              |                    | 1   |
| 1    | SP1530343   | Front Shroud, cpl., White (RAL 9016) |                    | 1   |
| 1    | SP1530344   | Front Shroud, cpl., Green (RAL 6003) |                    | 1   |
| 2    | SP1530345   | Middle Shroud, White (RAL 9006)      |                    | 1   |
| 3    | SP1530346   | Rear Shroud, cpl., Blue (RAL 5026)   |                    | 1   |
| 3    | SP1530347   | Rear Shroud, cpl., Black (RAL 9005)  |                    | 1   |
| 3    | SP1530348   | Rear Shroud, cpl., Champagne         |                    | 1   |
| 3    | SP1530427   | Rear Shroud, cpl., Red               |                    | 1   |
| 3    | SP1530428   | Rear Shroud, cpl., White (RAL 9016)  |                    | 1   |
| 3    | SP1530429   | Rear Shroud, cpl., Geen (RAL 6003)   |                    | 1   |
| 4    | 1419274     | Reflector Red, Round                 |                    | 1   |
| 5    | 1440769     | Hand Wheel                           |                    | 1   |
| 6    | 0572-06266  | INVACARE LOGO                        |                    | 1   |
| 7    | SP1522428   | Decal-Kit Blue (RAL 5026)            |                    | 1   |
| 7    | SP1523651   | Decal-Kit Black (RAL 9005)           |                    | 1   |
| 7    | SP1529145   | Decal-Kit Champagne                  |                    | 1   |
| 7    | SP1529393   | Decal-Kit Red (RAL 3007)             |                    | 1   |
| 7    | SP1529395   | Decal-Kit White (RAL 9016)           |                    | 1   |
| 7    | SP1529397   | Decal-Kit Green (RAL 6003)           |                    | 1   |

# Shroud spring seat

1528810X.dwg



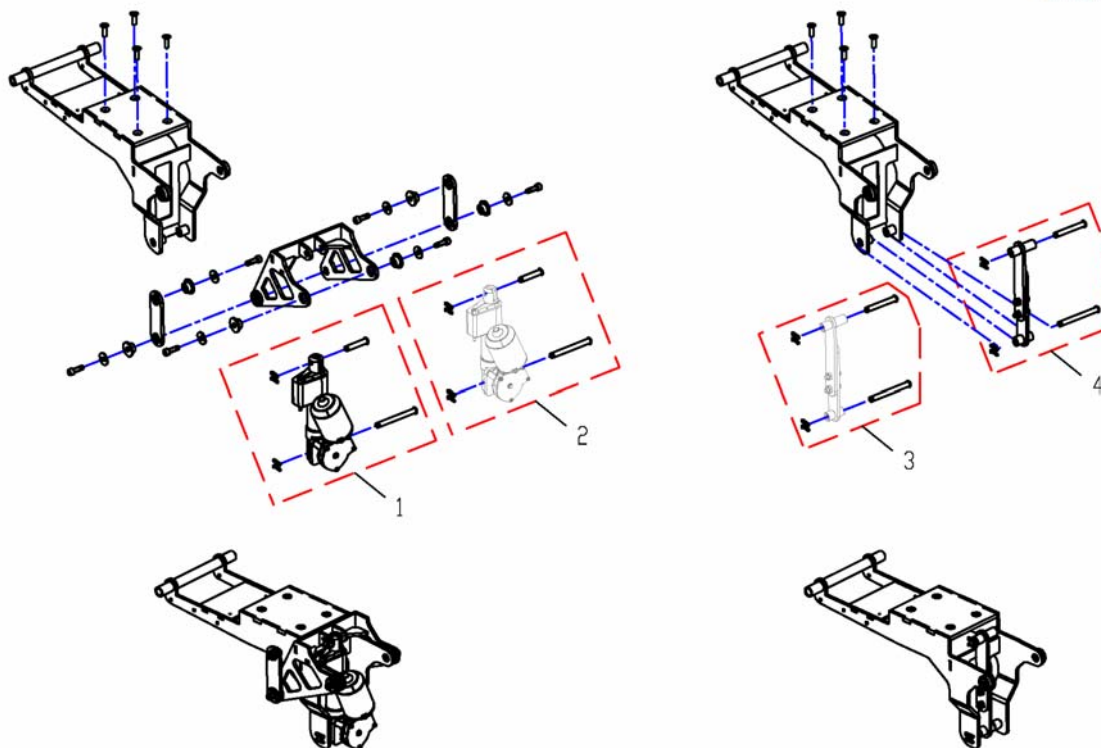
| Pos. | Part number | Description                                     | Valid from → until | Qty |
|------|-------------|---|--------------------|-----|
| 1    | SP1528810   | Shroud for spring seat without light LH         |                    | 1   |
| 2    | SP1528811   | Shroud for spring seat without light RH         |                    | 1   |
| 3    | SP1527836   | Shroud for spring seat with LED-rearlight LH    |                    | 1   |
| 4    | SP1527835   | Shroud for spring seat with LED-rearlight RH    |                    | 1   |
| 5    | SP1528627   | Shroud for spring seat for rearlight Germany LH |                    | 1   |
| 6    | SP1528626   | Shroud for spring seat for rearlight Germany RH |                    | 1   |



| Pos. | Part number | Description  | Valid from → until | Qty |
|------|-------------|--|--------------------|-----|
| 1    | SP1530459   | Lifting column, cpl.                                 |                    | 1   |
| 2    | SP1530460   | Seat column, fixed, height 45cm and 48cm, adjustable |                    | 1   |

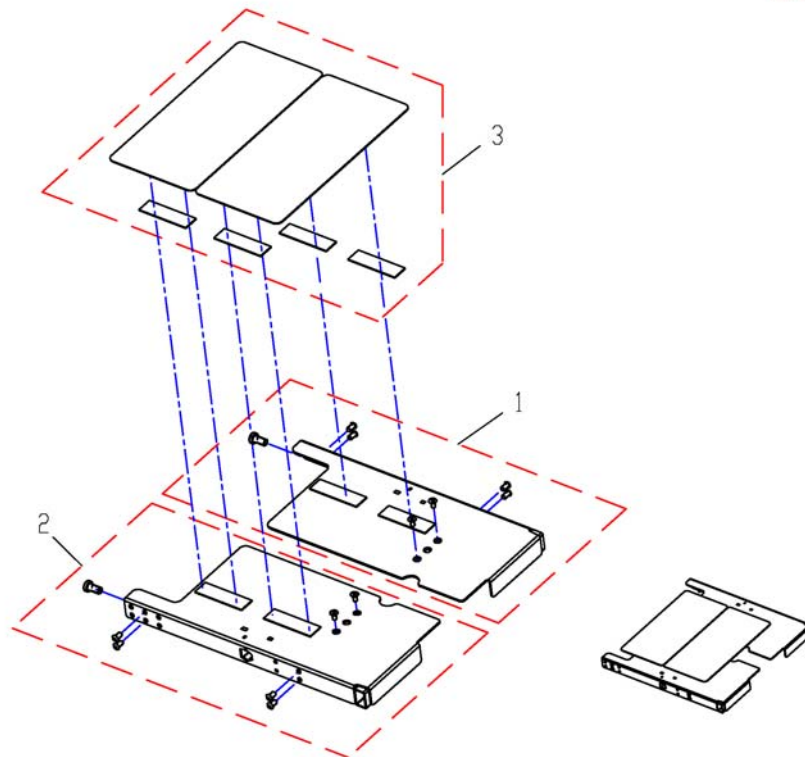
# Seattilt

1526948X.dwg



| Pos. | Part number | Description                     | Valid from → until | Qty |
|------|-------------|---------------------------------|--------------------|-----|
| 1    | SP1532480   | Motor for electrical tilt, cpl. |                    | 1   |
| 2    | SP1532481   | Mountin-Kit for electrical tilt |                    | 1   |
| 3    | SP1532482   | Manual tilt, cpl.               |                    | 1   |
| 4    | SP1532483   | Mounting-Kit for manual tilt    |                    | 1   |

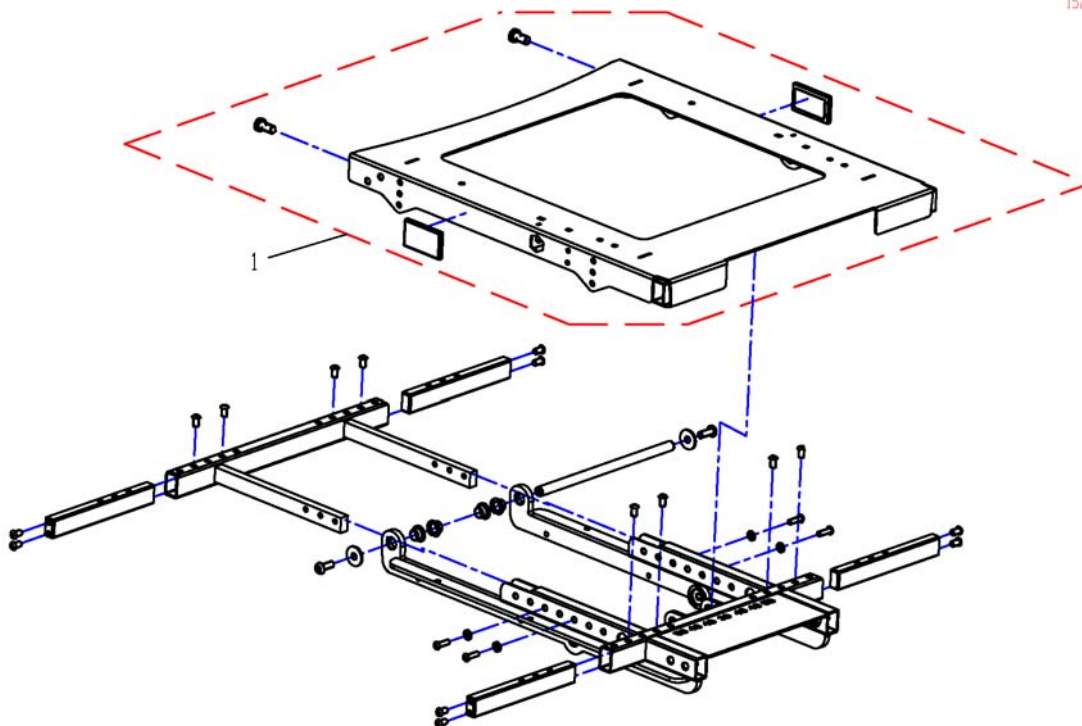
1526437X.dwg



| Pos. | Part number | Description                   | Valid from → until | Qty |
|------|-------------|-------------------------------|--------------------|-----|
| 1    | SP1530486   | Seatplate, short (440mm), LH  |                    | 1   |
| 2    | SP1530487   | Seatplate, short (440mm), RH  |                    | 1   |
| 1    | SP1530488   | Seatplate, middle (490mm), LH |                    | 1   |
| 2    | SP1530489   | Seatplate, middle (490mm), RH |                    | 1   |
| 1    | SP1530490   | Seatplate, lang (540mm), LH   |                    | 1   |
| 2    | SP1530491   | Seatplate, long (540mm), RH   |                    | 1   |
| 3    | SP1530492   | Coverplates                   |                    | 1   |

# Seatplate Recaro

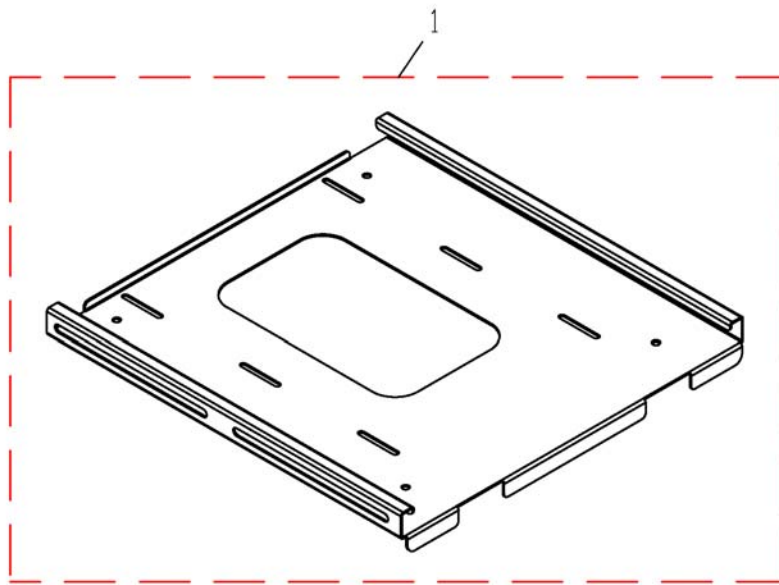
1529426X.dwg



| Pos. | Part number | Description      | Valid from → until | Qty |
|------|-------------|------------------|--------------------|-----|
| 1    | SP1530519   | Seatplate Recaro |                    | 1   |

# Seatplates Arne Jensen

1524643X.dwg

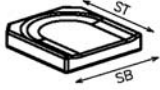


| Pos. | Part number | Description                | Valid from → until | Qty |
|------|-------------|----------------------------|--------------------|-----|
| 1    | SP1524647   | Seatplate Arne Jensen 38cm |                    | 1   |
| 1    | SP1524643   | Seatplate Arne Jensen 45cm |                    | 1   |
| 1    | SP1524646   | Seatplate Arne Jensen 50cm |                    | 1   |

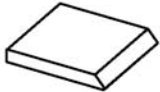


# Seatcushion

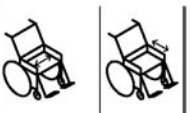
FLO-TECH










Standard



PB- & Full Back



|   |   |   |   |   |   |   |
|---|---|---|---|---|---|---|
|  |  |  |  |  |  |  |
| 1 38cm 41cm   | 2 38cm 46cm   | 25 38cm 41cm  | 26 38cm 46cm  | 49 41cm   | 52 38-41cm  | 53 43-46cm  |
| 3 38cm 51cm   | 4 43cm 41cm   | 27 38cm 51cm  | 28 43cm 41cm  | 50 46cm   | 46-48cm   | 46-48cm   |
| 5 43cm 46cm   | 6 43cm 51cm   | 29 43cm 46cm  | 30 43cm 51cm  | 51 51cm   |   |   |
| 7 48cm 41cm   | 8 48cm 46cm   | 31 48cm 41cm  | 32 48cm 46cm  |   |   |   |
| 9 48cm 51cm   | 10 53cm 43cm  | 33 48cm 51cm  | 34 53cm 43cm  |   |   |   |
| 11 53cm 46cm  | 12 53cm 51cm  | 35 53cm 46cm  | 36 53cm 51cm  |   |   |   |
| 13 38cm 41cm  | 14 38cm 46cm  | 37 38cm 41cm  | 38 38cm 46cm  |   |   |   |
| 15 38cm 51cm  | 16 43cm 41cm  | 39 38cm 51cm  | 40 43cm 41cm  |   |   |   |
| 17 43cm 46cm  | 18 43cm 51cm  | 41 43cm 46cm  | 42 43cm 51cm  |   |   |   |
| 19 48cm 41cm  | 20 48cm 46cm  | 43 48cm 41cm  | 44 48cm 46cm  |   |   |   |
| 21 48cm 51cm  | 22 53cm 43cm  | 45 48cm 51cm  | 46 53cm 43cm  |   |   |   |
| 23 53cm 46cm  | 24 53cm 51cm  | 47 53cm 46cm  | 48 53cm 51cm  |   |   |   |

| Pos. | Part number    | Description                                       | Valid from → until | Qty |
|------|----------------|---|--------------------|-----|
| 1    | SPFLB15/16     | Seatcushion Easy-Adapt SB38 x ST41cm black smooth |                    | 1   |
| 2    | SPFLB15/18     | Seatcushion Easy-Adapt SB38 x ST46cm black smooth |                    | 1   |
| 3    | SPFLB15/20     | Seatcushion Easy-Adapt SB38 x ST51cm black smooth |                    | 1   |
| 4    | SPFLB17/16     | Seatcushion Easy-Adapt SB43 x ST41cm black smooth |                    | 1   |
| 5    | SPFLB17/18     | Seatcushion Easy-Adapt SB43 x ST46cm black smooth |                    | 1   |
| 6    | SPFLB17/20     | Seatcushion Easy-Adapt SB43 x ST51cm black smooth |                    | 1   |
| 7    | SPFLB19/16     | Seatcushion Easy-Adapt SB48 x ST41cm black smooth |                    | 1   |
| 8    | SPFLB19/18     | Seatcushion Easy-Adapt SB48 x ST46cm black smooth |                    | 1   |
| 9    | SPFLB19/20     | Seatcushion Easy-Adapt SB48 x ST51cm black smooth |                    | 1   |
| 10   | SPFCB21/17     | Seatcushion Easy-Adapt SB53 x ST43cm black smooth |                    | 1   |
| 11   | SPFCB21/18     | Seatcushion Easy-Adapt SB53 x ST46cm black smooth |                    | 1   |
| 12   | SPFCB21/20     | Seatcushion Easy-Adapt SB53 x ST51cm black smooth |                    | 1   |
| 13   | SP1525250-0232 | Seatcushion Easy-Adapt SB38 x ST41cm dartex grey  |                    | 1   |
| 14   | SP1525252-0232 | Seatcushion Easy-Adapt SB38 x ST46cm dartex grey  |                    | 1   |
| 15   | SP1525253-0232 | Seatcushion Easy-Adapt SB38 x ST51cm dartex grey  |                    | 1   |
| 16   | SP1525254-0232 | Seatcushion Easy-Adapt SB43 x ST41cm dartex grey  |                    | 1   |
| 17   | SP1525255-0232 | Seatcushion Easy-Adapt SB43 x ST46cm dartex grey  |                    | 1   |
| 18   | SP1525256-0232 | Seatcushion Easy-Adapt SB43 x ST51cm dartex grey  |                    | 1   |
| 19   | SP1525257-0232 | Seatcushion Easy-Adapt SB48 x ST41cm dartex grey  |                    | 1   |
| 20   | SP1525258-0232 | Seatcushion Easy-Adapt SB48 x ST46cm dartex grey  |                    | 1   |
| 21   | SP1525259-0232 | Seatcushion Easy-Adapt SB48 x ST51cm dartex grey  |                    | 1   |
| 22   | SP1525260-0232 | Seatcushion Easy-Adapt SB53 x ST43cm dartex grey  |                    | 1   |
| 23   | SP1525261-0232 | Seatcushion Easy-Adapt SB53 x ST46cm dartex grey  |                    | 1   |
| 24   | SP1525262-0232 | Seatcushion Easy-Adapt SB53 x ST51cm dartex grey  |                    | 1   |
| 25   | SP1525250-0237 | Seatcushion Easy-Adapt SB38 x ST41cm grey plush   |                    | 1   |
| 26   | SP1525252-0237 | Seatcushion Easy-Adapt SB38 x ST46cm grey plush   |                    | 1   |
| 27   | SP1525253-0237 | Seatcushion Easy-Adapt SB38 x ST51cm grey plush   |                    | 1   |
| 28   | SP1525254-0237 | Seatcushion Easy-Adapt SB43 x ST41cm grey plush   |                    | 1   |
| 29   | SP1525255-0237 | Seatcushion Easy-Adapt SB43 x ST46cm grey plush   |                    | 1   |
| 30   | SP1525256-0237 | Seatcushion Easy-Adapt SB43 x ST51cm grey plush   |                    | 1   |
| 31   | SP1525257-0237 | Seatcushion Easy-Adapt SB48 x ST41cm grey plush   |                    | 1   |

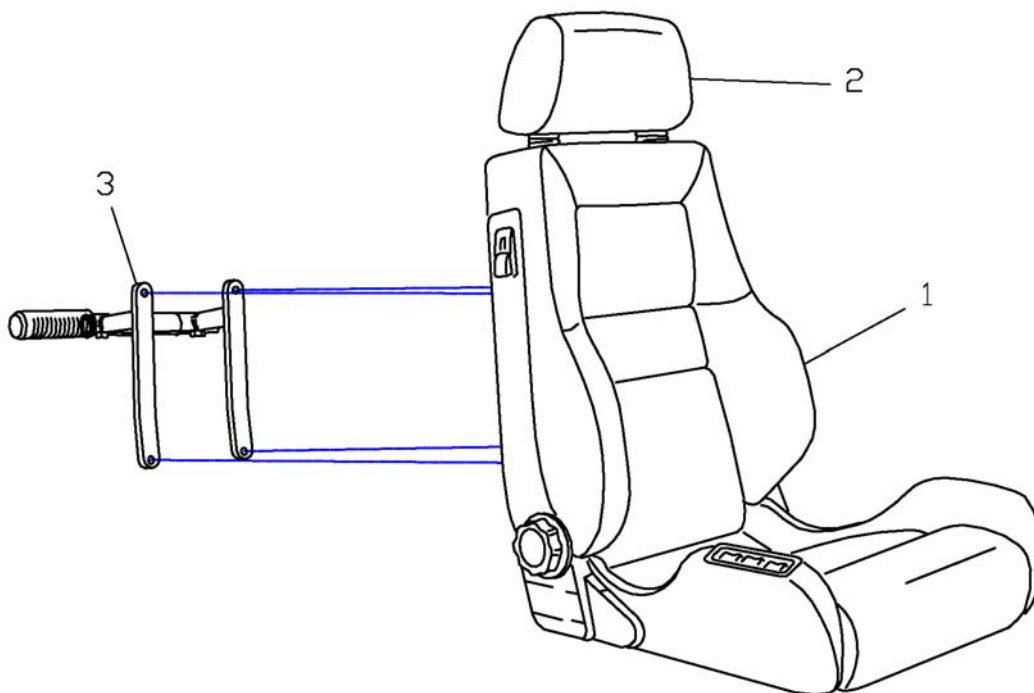


**Seatcushion**

| Pos. | Part number    | Description   | Valid from → until | Qty |
|------|----------------|---|--------------------|-----|
| 32   | SP1525258-0237 | Seatcushion Easy-Adapt SB48 x ST46cm grey plush               |                    | 1   |
| 33   | SP1525259-0237 | Seatcushion Easy-Adapt SB48 x ST51cm grey plush               |                    | 1   |
| 34   | SP1525260-0237 | Seatcushion Easy-Adapt SB53 x ST43cm grey plush               |                    | 1   |
| 35   | SP1525261-0237 | Seatcushion Easy-Adapt SB53 x ST46cm grey plush               |                    | 1   |
| 36   | SP1525262-0237 | Seatcushion Easy-Adapt SB53 x ST51cm grey plush               |                    | 1   |
| 37   | SP1529546      | Seatcushion Easy-Adapt SB38 x ST41cm black with red seam      |                    | 1   |
| 38   | SP1529547      | Seatcushion Easy-Adapt SB38 x ST46cm black with red seam      |                    | 1   |
| 39   | SP1529548      | Seatcushion Easy-Adapt SB38 x ST51cm black with red seam      |                    | 1   |
| 40   | SP1529549      | Seatcushion Easy-Adapt SB43 x ST41cm black with red seam      |                    | 1   |
| 41   | SP1529550      | Seatcushion Easy-Adapt SB43 x ST46cm black with red seam      |                    | 1   |
| 42   | SP1529551      | Seatcushion Easy-Adapt SB43 x ST51cm black with red seam      |                    | 1   |
| 43   | SP1529552      | Seatcushion Easy-Adapt SB48 x ST41cm black with red seam      |                    | 1   |
| 44   | SP1529553      | Seatcushion Easy-Adapt SB48 x ST46cm black with red seam      |                    | 1   |
| 45   | SP1529554      | Seatcushion Easy-Adapt SB48 x ST51cm black with red seam      |                    | 1   |
| 46   | SP1529555      | Seatcushion Easy-Adapt SB53 x ST43cm black with red seam      |                    | 1   |
| 47   | SP1529556      | Seatcushion Easy-Adapt SB53 x ST46cm black with red seam      |                    | 1   |
| 48   | SP1529570      | Seatcushion Easy-Adapt SB53 x ST51cm black with red seam      |                    | 1   |
| 49   | 1420460        | Cushion Standard SD 41cm                                      |                    | 1   |
| 50   | 1420461        | Cushion Standard SD 46cm                                      |                    | 1   |
| 51   | 1420462        | Cushion Standard SD 51cm                                      |                    | 1   |
| 52   | SP1531760      | Seat Cushion 40x45cm (16" x 18") for PB- & Full Back Cushions |                    | 1   |
| 53   | SP1531761      | Seat Cushion 45x45cm (18" x 18") for PB- & Full Back Cushions |                    | 1   |

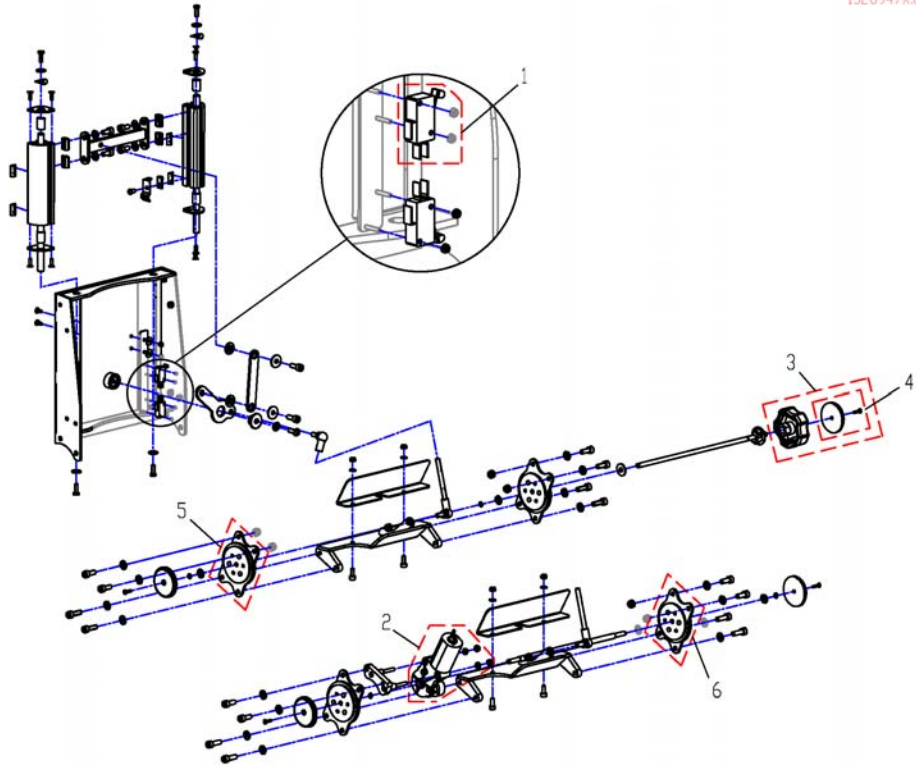
# Recaro Seat

1420495.dwg



| Pos. | Part number | Description  | Valid from → until | Qty |
|------|-------------|--|--------------------|-----|
| 1    | SP1422546   | Recaro Seat N-Joy cpl.                                   |                    | 1   |
| 1    | SP1420495   | Recaro Seat Mobility cpl.                                |                    | 1   |
| 2    | N89999      | HEADREST - SPORT NARDO                                   |                    | 1   |
| 3    | SP1423177   | HOLDER F. PUSH HANDLE RECARO CPL.                        |                    | 1   |
|      | SP1423173   | RECARO SEAT MOUNTING KIT                                 |                    | 1   |
|      | Z163001A    | SAFETY BELT WITH SNAP LOCK AND VELCRO FASTNER FOR RECARO |                    | 1   |
|      | F367002     | SAFETY BELT WITH VELCRO FASTNER F. RECARO                |                    | 1   |

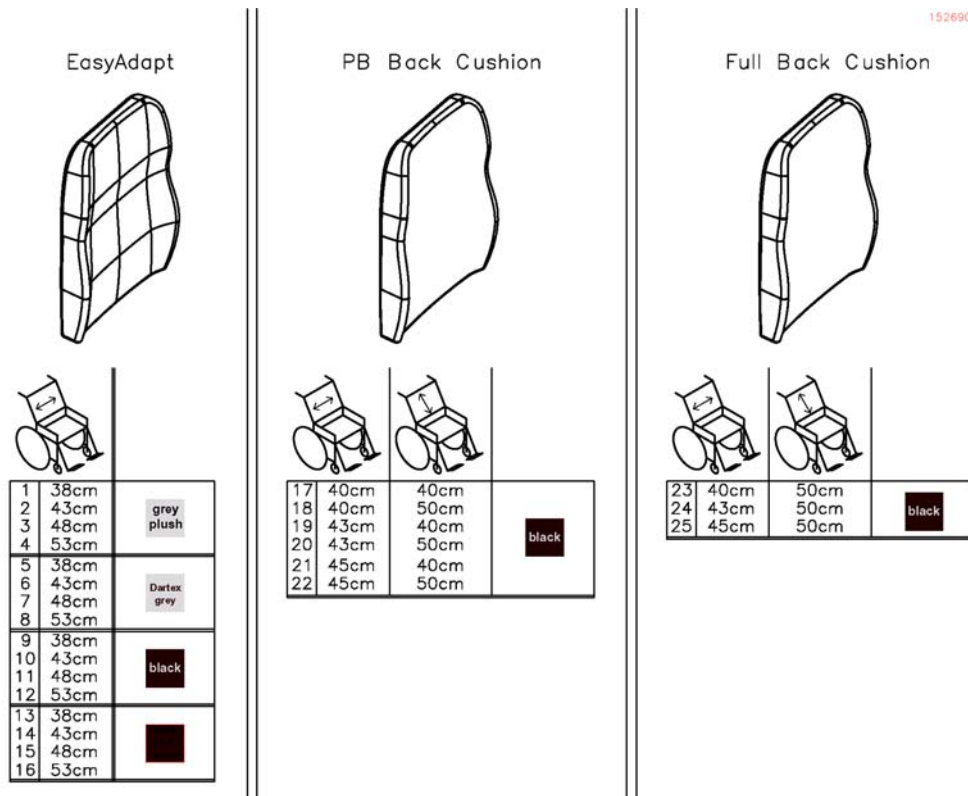
1528947X.dwg



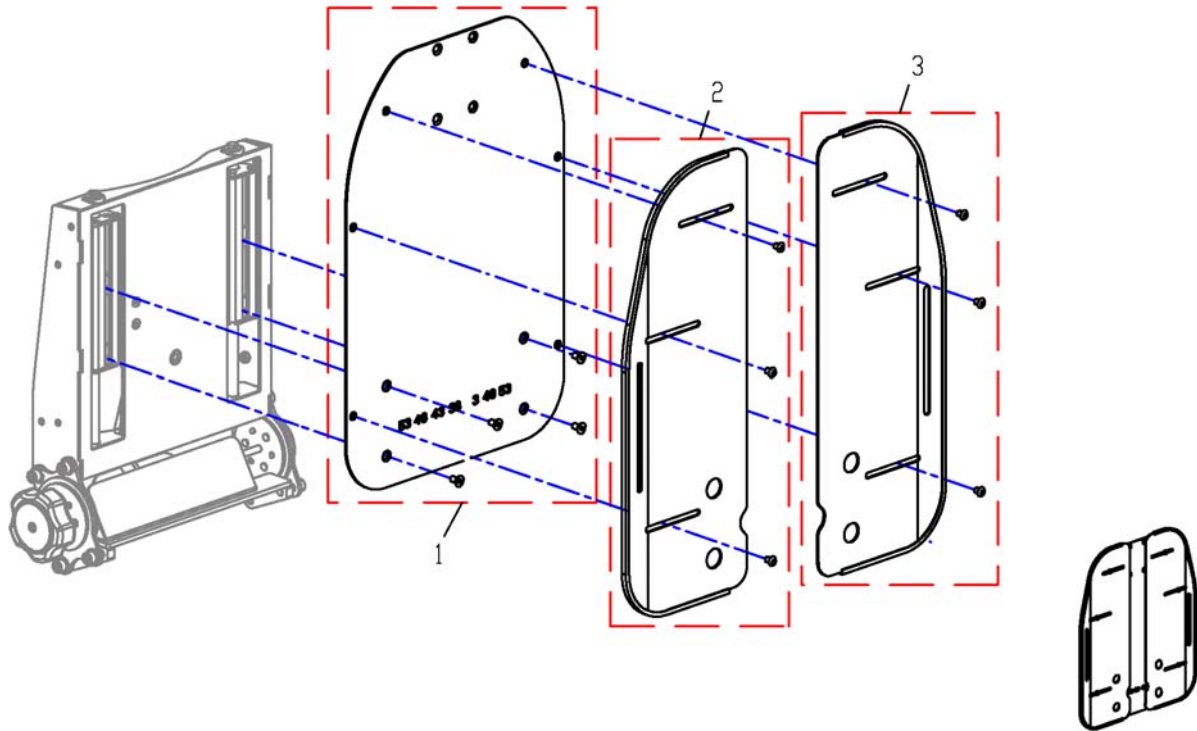
| Pos. | Part number | Description                          | Valid from → until | Qty |
|------|-------------|--------------------------------------|--------------------|-----|
| 1    | SP1526445   | Stopp switch                         |                    | 1   |
| 2    | SP1530520   | Gearmotor                            |                    | 1   |
| 3    | SP1420483   | Hand Wheel, cpl.                     |                    | 1   |
| 4    | SP1421696   | Reflector cpl.                       |                    | 1   |
| 5    | SP1450234   | SEAT BRACE MANUAL BACKREST, 1 PAIR   |                    | 1   |
| 6    | SP1423211   | SEAT BRACE ELECTRIC BACKREST, 1 PAIR |                    | 1   |

# Backrest Cushion

1526905x.dwg



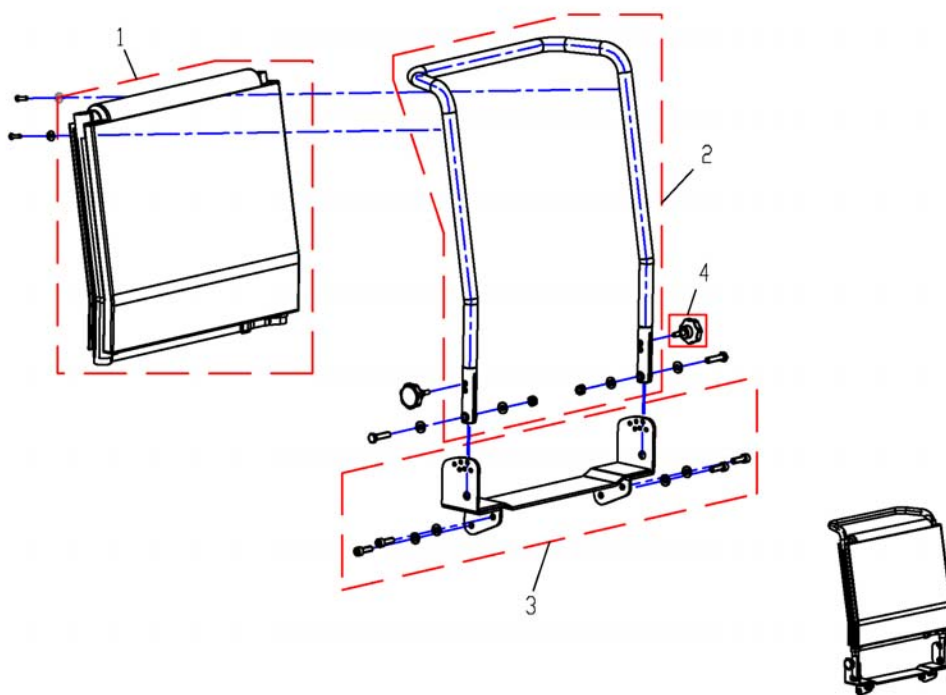
| Pos. | Part number | Description  | Valid from → until | Qty |
|------|-------------|--|--------------------|-----|
| 1    | 1427118     | CUSHION, BACKREST "LAGUNA" 372X550, DARTEX GREY      |                    | 1   |
| 2    | 1427119     | CUSHION, BACKREST LAGUNA 402X550, DARTEX GREY        |                    | 1   |
| 3    | 1427120     | CUSHION, BACKREST LAGUNA 452X550, TR23               |                    | 1   |
| 4    | 1427121     | CUSHION LAGUNA 492X550, BACKREST, TR23               |                    | 1   |
| 5    | 1435798     | CUSHION LAGUNA 402X550, BACKREST, TR32               |                    | 1   |
| 6    | 1444339     | CUSHION, BACKREST "LAGUNA" 372X550, PLUSH GREY PRIMA |                    | 1   |
| 7    | 1444340     | CUSHION LAGUNA 452X550, BACKREST, TR32               |                    | 1   |
| 8    | 1444341     | CUSHION LAGUNA 492X550, BACKREST, TR32               |                    | 1   |
| 9    | 1529538     | Backrestcushion EasyAdapt, Black with red seam, SW38 |                    | 1   |
| 10   | 1529539     | Backrestcushion EasyAdapt, Black with red seam, SW43 |                    | 1   |
| 11   | 1529540     | Backrestcushion EasyAdapt, Black with red seam, SW48 |                    | 1   |
| 12   | 1529545     | Backrestcushion EasyAdapt, Black with red seam, SW53 |                    | 1   |
| 13   | 1529585     | Backrestcushion EasyAdapt, Black, SW38               |                    | 1   |
| 14   | 1529586     | Backrestcushion EasyAdapt, Black, SW43               |                    | 1   |
| 15   | 1529587     | Backrestcushion EasyAdapt, Black, SW48               |                    | 1   |
| 16   | 1529596     | Backrestcushion EasyAdapt, Black, SW53               |                    | 1   |
| 17   | SP1531762   | PB Back Cushion 40x40cm (16" x 16")                  |                    | 1   |
| 18   | SP1531763   | PB Back Cushion 40x50cm (16" x 20")                  |                    | 1   |
| 19   | SP1531792   | PB Back Cushion 43x40cm (17" x 16")                  |                    | 1   |
| 20   | SP1531793   | PB Back Cushion 43x50cm (17" x 20")                  |                    | 1   |
| 21   | SP1531822   | PB Back Cushion 45x40cm (18" x 16")                  |                    | 1   |
| 22   | SP1531823   | PB Back Cushion 45x50cm (18" x 20")                  |                    | 1   |
| 23   | SP1531824   | Back Cushion 40x50cm (16" x 20")                     |                    | 1   |
| 24   | SP1531831   | Back Cushion 43x50cm (17" x 20")                     |                    | 1   |
| 25   | SP1531832   | Back Cushion 45x50cm (18" x 20")                     |                    | 1   |



| Pos. | Part number | Description                 | Valid from → until | Qty |
|------|-------------|-----------------------------|--------------------|-----|
| 1    | SP1530525   | Backplate EasyAdapt, middle |                    | 1   |
| 2    | SP1530526   | Backplate EasyAdapt, right  |                    | 1   |
| 3    | SP1530527   | Backplate EasyAdapt, left   |                    | 1   |


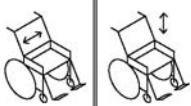

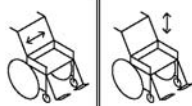

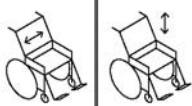

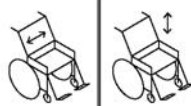
# Standard

1526901X.dwg



| Pos. | Part number | Description                              | Valid from → until | Qty |
|------|-------------|--|--------------------|-----|
| 1    | 1422062     | Sling Back with removable cushion 480 mm |                    | 1   |
| 1    | 1422063     | Sling Back with removable cushion 540 mm |                    | 1   |
| 2    | SP1419996   | Backrest Frame 48cm height               |                    | 1   |
| 2    | SP1420465   | Backrest Frame 54cm height               |                    | 1   |
| 3    | SP1530528   | Bracket for standard backrest            |                    | 1   |
| 4    | SP1420444   | Star Grip M8 cpl.                        |                    | 1   |

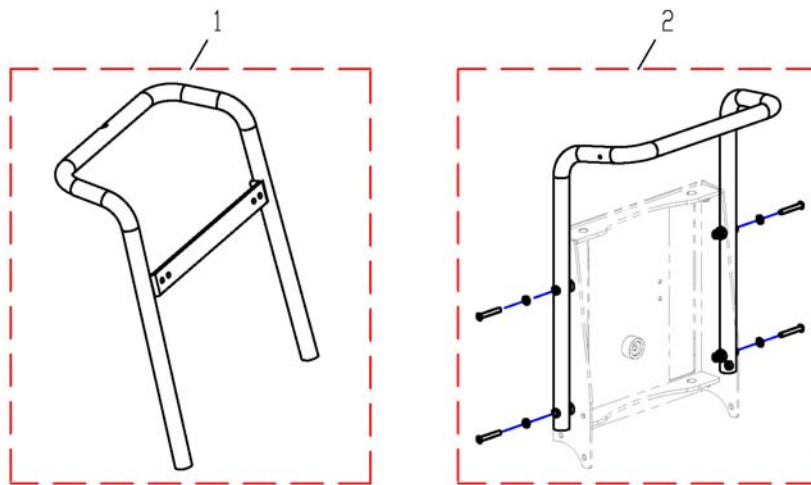
Arne\_Jensen\_Sitze.dwg

| OPTIMIST 1  | OPTIMIST 2   | OPTIMIST 3   | OPTIMIST 5   |   |      |      |   |      |      |   |      |      |  |   |      |      |   |      |      |   |      |      |   |      |      |   |      |      |    |      |      |   |    |      |      |    |      |      |   |    |      |      |    |      |      |
|---|--|--|--|---|------|------|---|------|------|---|------|------|--|---|------|------|---|------|------|---|------|------|---|------|------|---|------|------|----|------|------|---|----|------|------|----|------|------|---|----|------|------|----|------|------|
| <br>  | <br> | <br> | <br> |   |      |      |   |      |      |   |      |      |  |   |      |      |   |      |      |   |      |      |   |      |      |   |      |      |    |      |      |   |    |      |      |    |      |      |   |    |      |      |    |      |      |
| <table border="1" style="border-collapse: collapse;"> <tr><td style="width: 20px;">1</td><td style="width: 40px;">38cm</td><td style="width: 40px;">46cm</td></tr> <tr><td>2</td><td>45cm</td><td>46cm</td></tr> <tr><td>3</td><td>45cm</td><td>60cm</td></tr> <tr><td>4</td><td>50cm</td><td>60cm</td></tr> </table> | 1  | 38cm   | 46cm   | 2 | 45cm | 46cm | 3 | 45cm | 60cm | 4 | 50cm | 60cm | <table border="1" style="border-collapse: collapse;"> <tr><td style="width: 20px;">5</td><td style="width: 40px;">38cm</td><td style="width: 40px;">46cm</td></tr> <tr><td>6</td><td>38cm</td><td>46cm</td></tr> <tr><td>7</td><td>45cm</td><td>46cm</td></tr> <tr><td>8</td><td>45cm</td><td>60cm</td></tr> <tr><td>9</td><td>45cm</td><td>60cm</td></tr> <tr><td>10</td><td>50cm</td><td>60cm</td></tr> </table> | 5 | 38cm | 46cm | 6 | 38cm | 46cm | 7 | 45cm | 46cm | 8 | 45cm | 60cm | 9 | 45cm | 60cm | 10 | 50cm | 60cm | <table border="1" style="border-collapse: collapse;"> <tr><td style="width: 20px;">11</td><td style="width: 40px;">45cm</td><td style="width: 40px;">60cm</td></tr> <tr><td>12</td><td>50cm</td><td>70cm</td></tr> </table> | 11 | 45cm | 60cm | 12 | 50cm | 70cm | <table border="1" style="border-collapse: collapse;"> <tr><td style="width: 20px;">13</td><td style="width: 40px;">45cm</td><td style="width: 40px;">70cm</td></tr> <tr><td>14</td><td>50cm</td><td>70cm</td></tr> </table> | 13 | 45cm | 70cm | 14 | 50cm | 70cm |
| 1   | 38cm   | 46cm   |  |   |      |      |   |      |      |   |      |      |  |   |      |      |   |      |      |   |      |      |   |      |      |   |      |      |    |      |      |   |    |      |      |    |      |      |   |    |      |      |    |      |      |
| 2   | 45cm   | 46cm   |  |   |      |      |   |      |      |   |      |      |  |   |      |      |   |      |      |   |      |      |   |      |      |   |      |      |    |      |      |   |    |      |      |    |      |      |   |    |      |      |    |      |      |
| 3   | 45cm   | 60cm   |  |   |      |      |   |      |      |   |      |      |  |   |      |      |   |      |      |   |      |      |   |      |      |   |      |      |    |      |      |   |    |      |      |    |      |      |   |    |      |      |    |      |      |
| 4   | 50cm   | 60cm   |  |   |      |      |   |      |      |   |      |      |  |   |      |      |   |      |      |   |      |      |   |      |      |   |      |      |    |      |      |   |    |      |      |    |      |      |   |    |      |      |    |      |      |
| 5   | 38cm   | 46cm   |  |   |      |      |   |      |      |   |      |      |  |   |      |      |   |      |      |   |      |      |   |      |      |   |      |      |    |      |      |   |    |      |      |    |      |      |   |    |      |      |    |      |      |
| 6   | 38cm   | 46cm   |  |   |      |      |   |      |      |   |      |      |  |   |      |      |   |      |      |   |      |      |   |      |      |   |      |      |    |      |      |   |    |      |      |    |      |      |   |    |      |      |    |      |      |
| 7   | 45cm   | 46cm   |  |   |      |      |   |      |      |   |      |      |  |   |      |      |   |      |      |   |      |      |   |      |      |   |      |      |    |      |      |   |    |      |      |    |      |      |   |    |      |      |    |      |      |
| 8   | 45cm   | 60cm   |  |   |      |      |   |      |      |   |      |      |  |   |      |      |   |      |      |   |      |      |   |      |      |   |      |      |    |      |      |   |    |      |      |    |      |      |   |    |      |      |    |      |      |
| 9   | 45cm   | 60cm   |  |   |      |      |   |      |      |   |      |      |  |   |      |      |   |      |      |   |      |      |   |      |      |   |      |      |    |      |      |   |    |      |      |    |      |      |   |    |      |      |    |      |      |
| 10  | 50cm   | 60cm   |  |   |      |      |   |      |      |   |      |      |  |   |      |      |   |      |      |   |      |      |   |      |      |   |      |      |    |      |      |   |    |      |      |    |      |      |   |    |      |      |    |      |      |
| 11  | 45cm   | 60cm   |  |   |      |      |   |      |      |   |      |      |  |   |      |      |   |      |      |   |      |      |   |      |      |   |      |      |    |      |      |   |    |      |      |    |      |      |   |    |      |      |    |      |      |
| 12  | 50cm   | 70cm   |  |   |      |      |   |      |      |   |      |      |  |   |      |      |   |      |      |   |      |      |   |      |      |   |      |      |    |      |      |   |    |      |      |    |      |      |   |    |      |      |    |      |      |
| 13  | 45cm   | 70cm   |  |   |      |      |   |      |      |   |      |      |  |   |      |      |   |      |      |   |      |      |   |      |      |   |      |      |    |      |      |   |    |      |      |    |      |      |   |    |      |      |    |      |      |
| 14  | 50cm   | 70cm   |  |   |      |      |   |      |      |   |      |      |  |   |      |      |   |      |      |   |      |      |   |      |      |   |      |      |    |      |      |   |    |      |      |    |      |      |   |    |      |      |    |      |      |

| Pos. | Part number | Description                                       | Valid from → until | Qty |
|------|-------------|---|--------------------|-----|
| 1    | 1419630     | Backrest cushion Optimist Typ1, SW38cm            |                    | 1   |
| 2    | 5313888     | Backrest cushion Optimist Typ1, SW45cm            |                    | 1   |
| 3    | 5313889     | Backrest cushion Optimist Typ1, SW45cm            |                    | 1   |
| 4    | 1419625     | Backrest cushion Optimist Typ1, SW50cm            |                    | 1   |
| 5    | 1419631     | Backrest cushion Optimist Typ2, SW38cm            |                    | 1   |
| 6    | 5313867     | Backrest cushion Optimist Typ2, SW38cm, el. Strap |                    | 1   |
| 7    | 5313882     | Backrest cushion Optimist Typ2, SW45cm            |                    | 1   |
| 8    | 5313883     | Backrest cushion Optimist Typ2, SW45cm            |                    | 1   |
| 9    | 5313895     | Backrest cushion Optimist Typ2, SW45cm, el. Strap |                    | 1   |
| 10   | 1419628     | Backrest cushion Optimist Typ2, SW50cm            |                    | 1   |
| 11   | 5313878     | Backrest cushion Optimist Typ3, SW45cm            |                    | 1   |
| 12   | 5313877     | Backrest cushion Optimist Typ3, SW50cm            |                    | 1   |
| 13   | 5313872     | Backrest cushion Optimist Typ5, SW45cm            |                    | 1   |
| 14   | 5313871     | Backrest cushion Optimist Typ5, SW50cm            |                    | 1   |

# Push Handles

1441556X.dwg

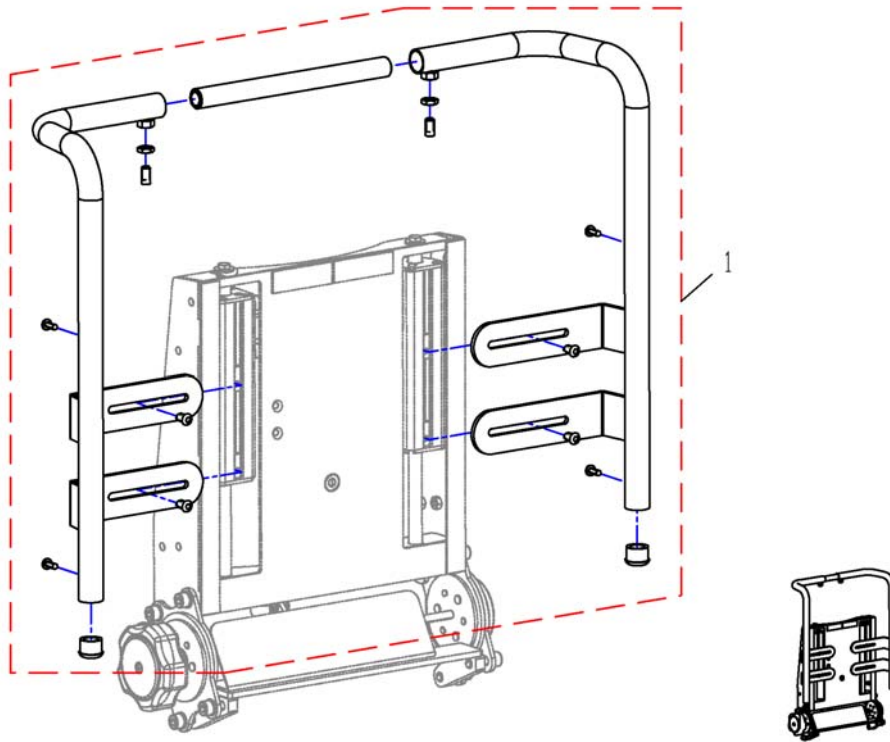


| Pos. | Part number | Description                | Valid from → until | Qty |
|------|-------------|----------------------------|--------------------|-----|
| 1    | 1441553     | Push Handle Arne Jensen    |                    | 1   |
| 2    | SP1529001   | Push Handle EasyAdapt-Seat |                    | 1   |



# "Universal"-Backrestframe

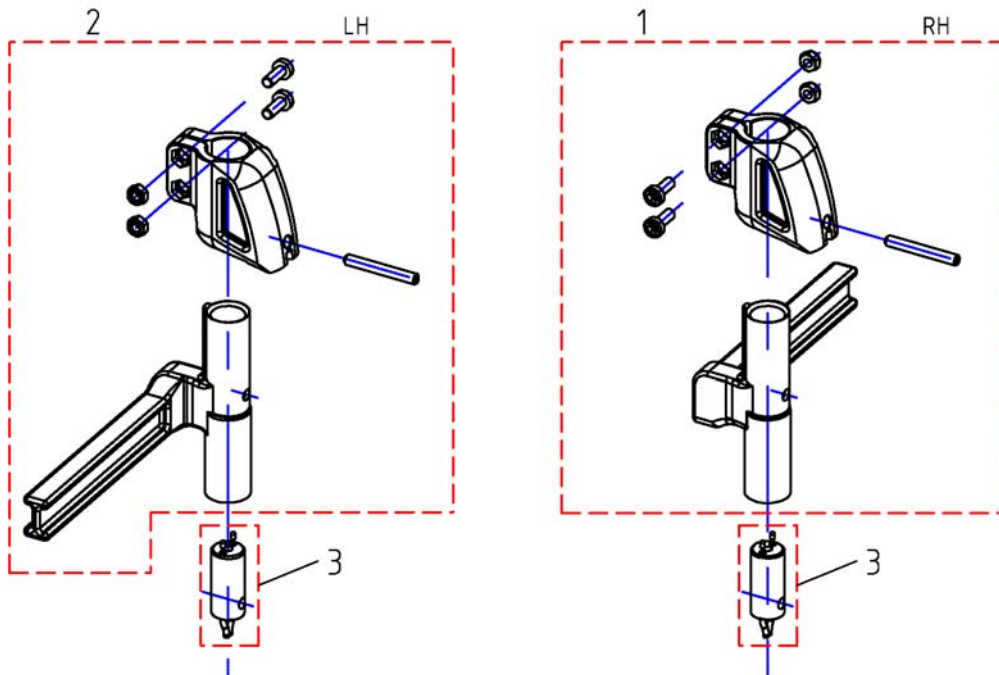
1531052X.dwg



| Pos. | Part number | Description               | Valid from → until | Qty |
|------|-------------|---------------------------|--------------------|-----|
| 1    | SP1531052   | "Universal"-Backrestframe |                    | 1   |

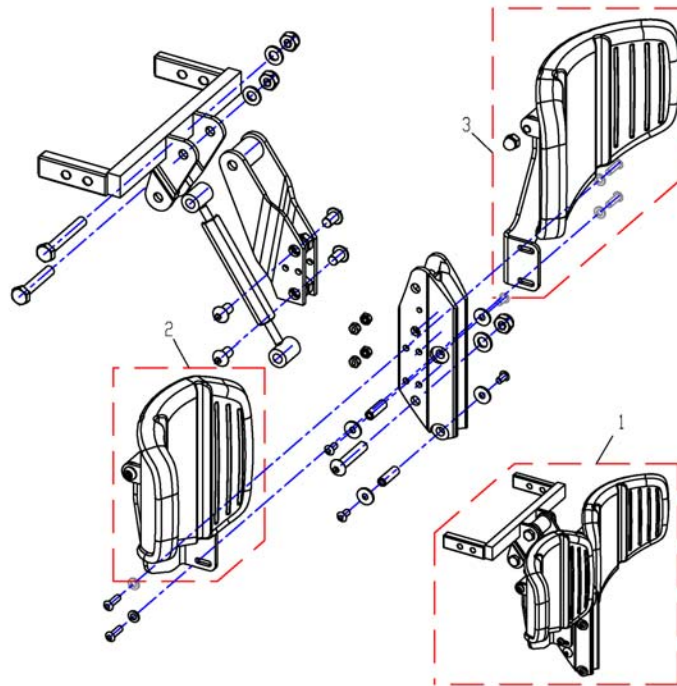
# Legrest Support 07/2005 ==>

1449734XPAC.dwg



| Pos. | Part number | Description                                       | Valid from → until | Qty |
|------|-------------|---|--------------------|-----|
| 2    | SP1449732   | Footrest/Legrest Receptacle, cpl., Manual RH 5cm  |                    | 1   |
| 1    | SP1449733   | Footrest/Legrest Receptacle, cpl., Manual LH 5cm  |                    | 1   |
| 2    | SP1449734   | Footrest/Legrest Receptacle, cpl., Electr. RH 5cm |                    | 1   |
| 1    | SP1449735   | Footrest/Legrest Receptacle, cpl., Electr. LH 5cm |                    | 1   |
| 3    | SP1527775   | Power Supply Cable Legrest ACT                    |                    | 1   |

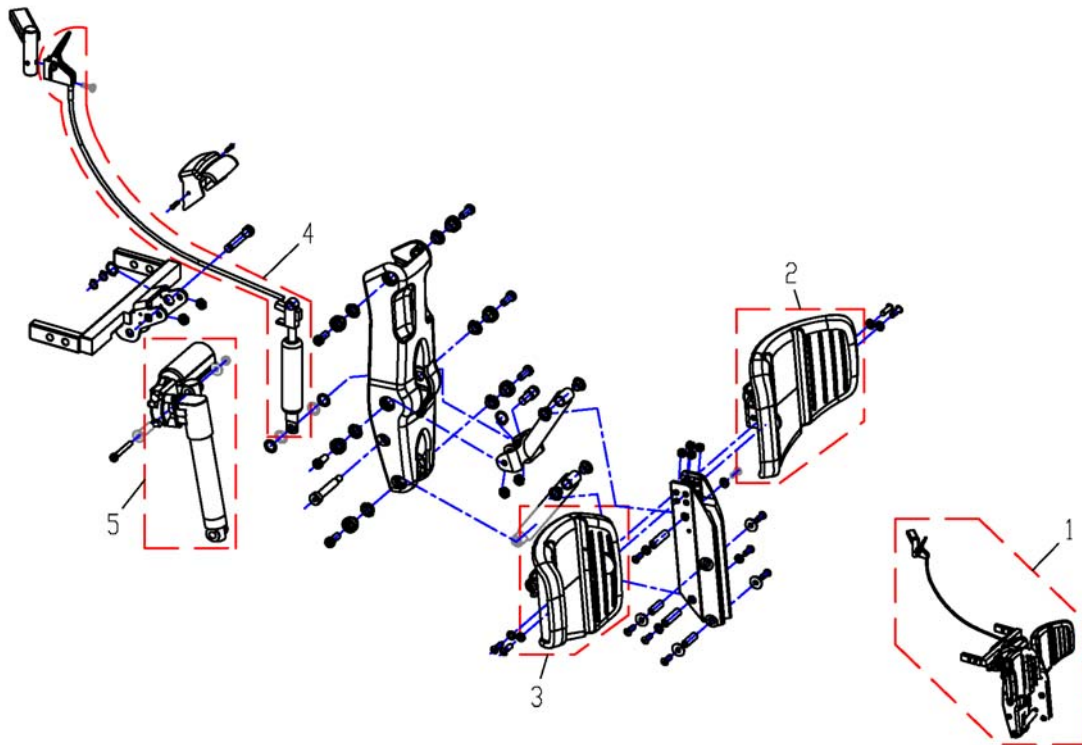
1529387X.dwg



| Pos. | Part number | Description                         | Valid from → until | Qty |
|------|-------------|-------------------------------------|--------------------|-----|
| 1    | SP1529387   | Central Legrest, manuell, cpl.      |                    | 1   |
| 2    | 1436070     | CALF PLATE RH, COMPLETE WITH HOLDER |                    | 1   |
| 3    | 1436069     | CALF PLATE LH, COMPLETE WITH HOLDER |                    | 1   |

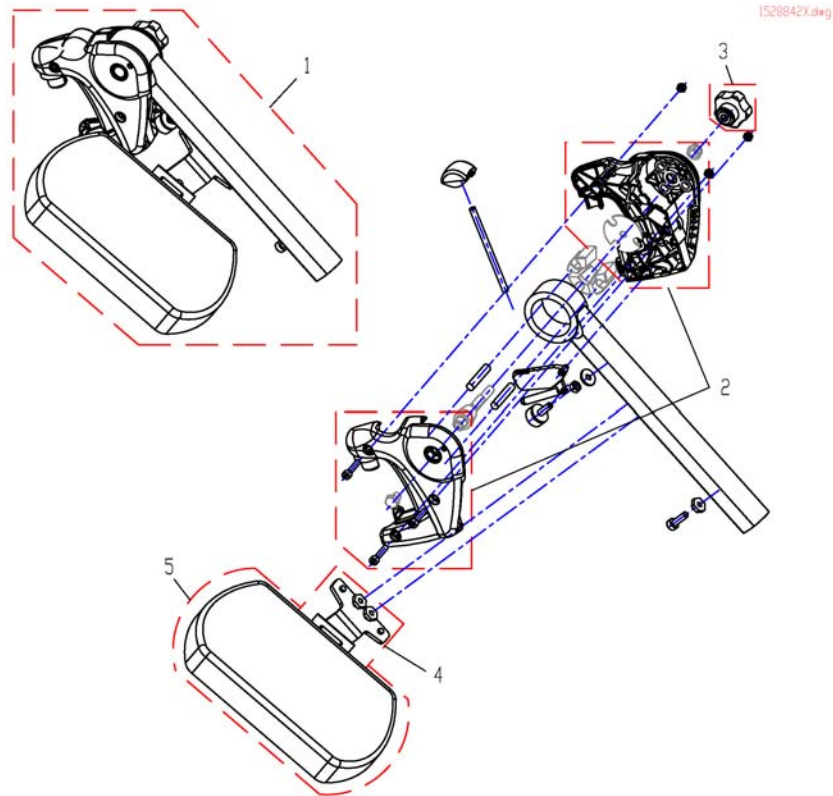
# Central Legrest, electric

1529388X.dwg



| Pos. | Part number | Description                     | Valid from → until | Qty |
|------|-------------|---------------------------------|--------------------|-----|
| 1    | SP1529388   | Central Legrest, electric, cpl. |                    | 1   |
| 2    | 1436076     | CALF PLATE WITH HOLDER LH       |                    | 1   |
| 3    | 1440594     | CALF PLATE WITH HOLDER RH       |                    | 1   |
| 4    | 1440593     | GAS PRESSURE SPRING             |                    | 1   |
| 5    | 1440600     | ACTUATOR ELECTRICAL LEGREST 90° |                    | 1   |

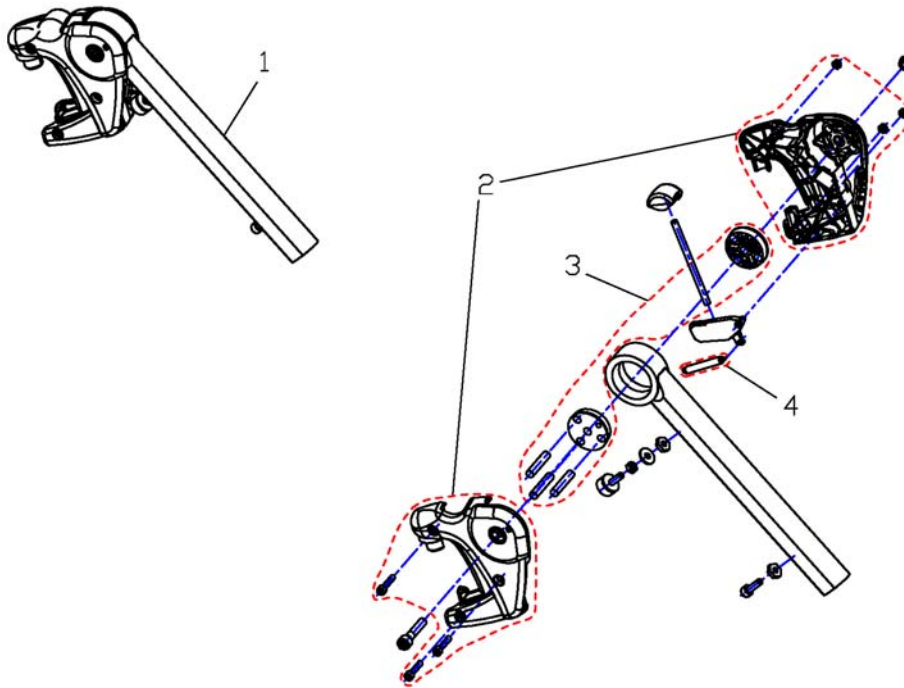
# Hanger Vari A RH/LH 04/2009 ==>



| Pos. | Part number | Description                          | Valid from → until | Qty |
|------|-------------|--------------------------------------|--------------------|-----|
| 1    | SP1527492   | Hanger Vari A RH, cpl.               |                    | 1   |
| 1    | SP1527498   | Hanger Vari A LH, cpl.               |                    | 1   |
| 2    | SP1434955   | Cover Legrest cpl.                   |                    | 1   |
| 3    | L34011      | Handknob M8 Tristarfemale            |                    | 1   |
| 4    | SP1450446   | Calf Pad Holder Right Turnable, cpl. |                    | 1   |
| 4    | SP1450447   | Calf Pad Holder Left Turnable, cpl.  |                    | 1   |
| 5    | 6301333     | Calf Pad                             |                    | 1   |

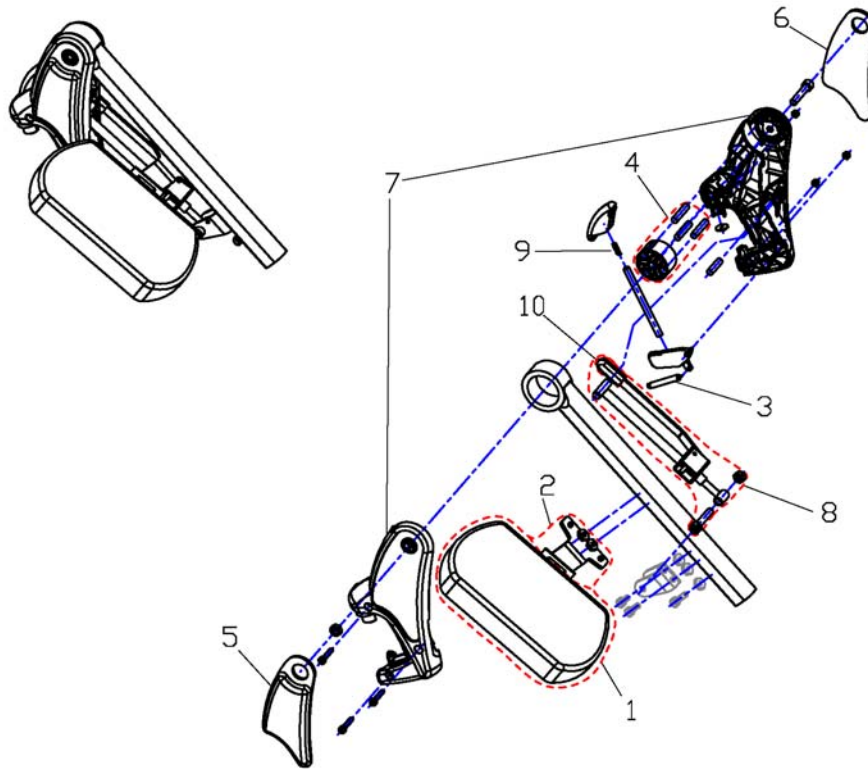
# Vari F Hanger RH/LH

1449347X.dwg



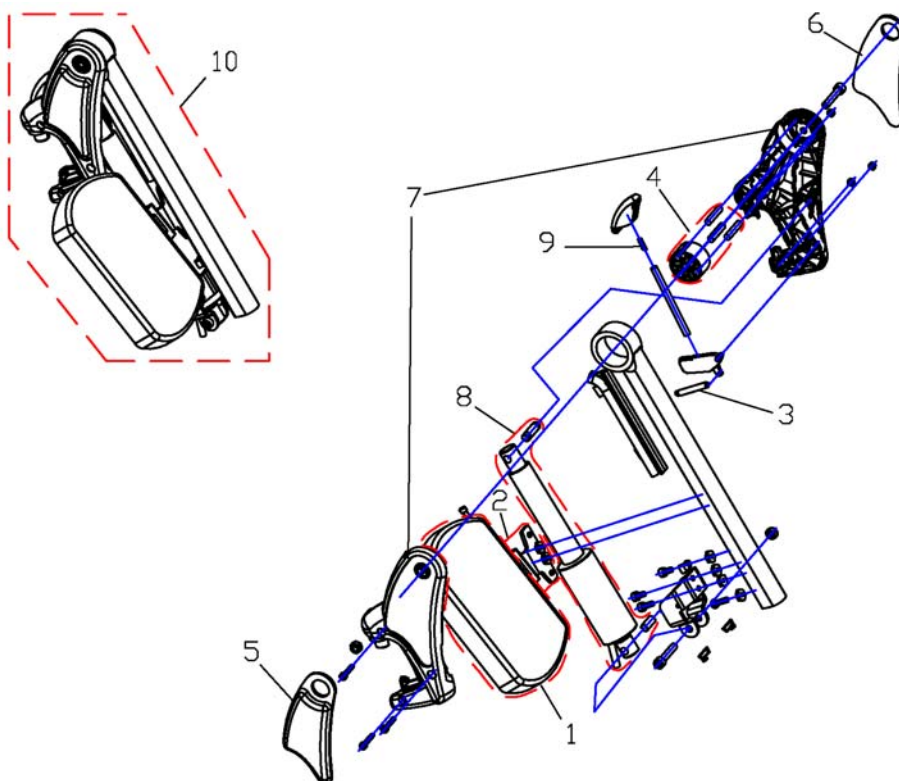
| Pos. | Part number | Description           | Valid from → until | Qty |
|------|-------------|-----------------------|--------------------|-----|
| 1    | SP1449347   | Hanger Vari F LH cpl. |                    | 1   |
| 1    | SP1449346   | Hanger Vari F RH cpl. |                    | 1   |
| 2    | SP1434955   | Cover Legrest cpl.    |                    | 1   |
| 3    | 1434956     | Mechanic              |                    | 1   |
| 4    | SPZ173178   | Spring                |                    | 1   |

1449409X.dwg



| Pos. | Part number | Description                          | Valid from → until | Qty |
|------|-------------|--------------------------------------|--------------------|-----|
| 1    | 6301333     | Calf Pad                             |                    | 1   |
| 2    | SP1450447   | Calf Pad Holder Left Turnable, cpl.  |                    | 1   |
| 2    | SP1450446   | Calf Pad Holder Right Turnable, cpl. |                    | 1   |
| 3    | SPZ173178   | Spring                               |                    | 1   |
| 4    | SPZ174134   | Floating Cylinder With Pin           |                    | 1   |
| 5    | SP1450410   | Knee Upholstery LH                   |                    | 1   |
| 6    | SP1450448   | Knee Upholstery RH                   |                    | 1   |
| 7    | SP1449293   | Ad-Cover cpl.                        |                    | 1   |
| 8    | SPZ174130   | ADM Adjustment mechanism cpl.        |                    | 1   |
| 9    | SPN12196    | Spring                               |                    | 1   |
| 10   | SP1006490   | Cap for tripping lever               |                    | 1   |
| 11   | SP1449410   | Hanger APM RH cpl.                   |                    | 1   |
| 11   | SP1449409   | Hanger ADM LH cpl.                   |                    | 1   |

# ADE Hanger RH/LH Electr. 07.2005 ==>



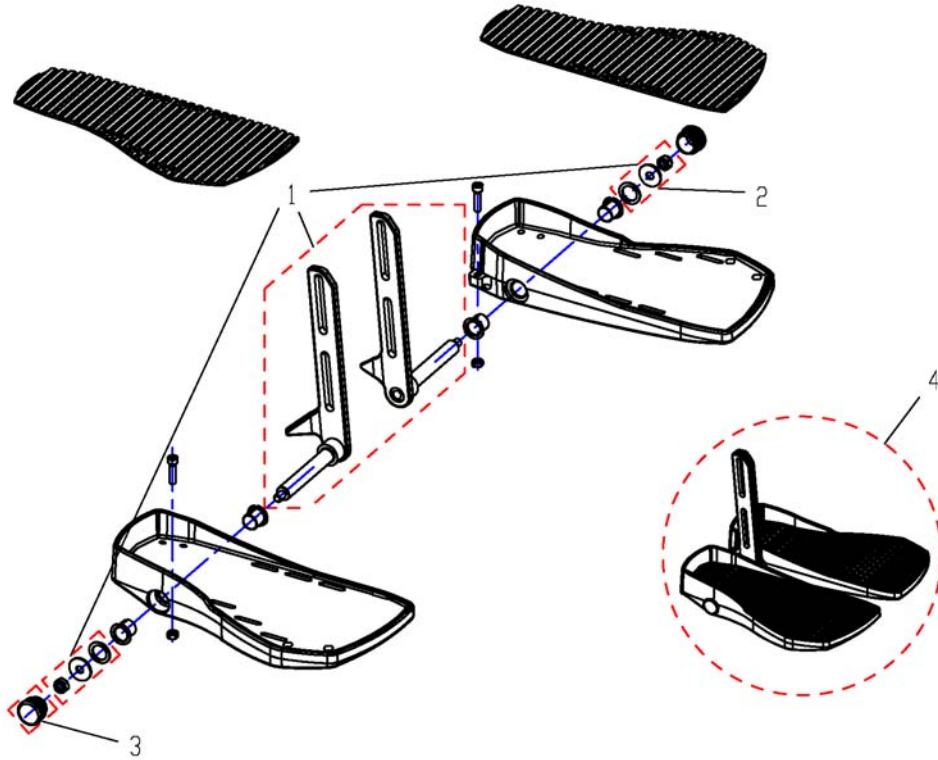
1449407X.dwg

| Pos. | Part number | Description                               | Valid from → until | Qty |
|------|-------------|---|--------------------|-----|
| 1    | 6301333     | Calf Pad                                  |                    | 1   |
| 2    | SP1450446   | Calf Pad Holder Right Turnable, cpl.      |                    | 1   |
| 2    | SP1450447   | Calf Pad Holder Left Turnable, cpl.       |                    | 1   |
| 3    | SPZ173178   | Spring                                    |                    | 1   |
| 4    | SPZ174134   | Floating Cylinder With Pin                |                    | 1   |
| 5    | SP1450410   | Knee Upholstery LH                        |                    | 1   |
| 6    | SP1450448   | Knee Upholstery RH                        |                    | 1   |
| 7    | SP1449293   | Ad-Cover cpl.                             |                    | 1   |
| 8    | SPZ151006   | Actuator With Circuit Board, Preassembled |                    | 1   |
| 9    | SPN12196    | Spring                                    |                    | 1   |
| 10   | SP1449408   | Hanger ADP RH cpl.                        |                    | 1   |
| 10   | SP1449407   | Hanger ADP LH cpl.                        |                    | 1   |



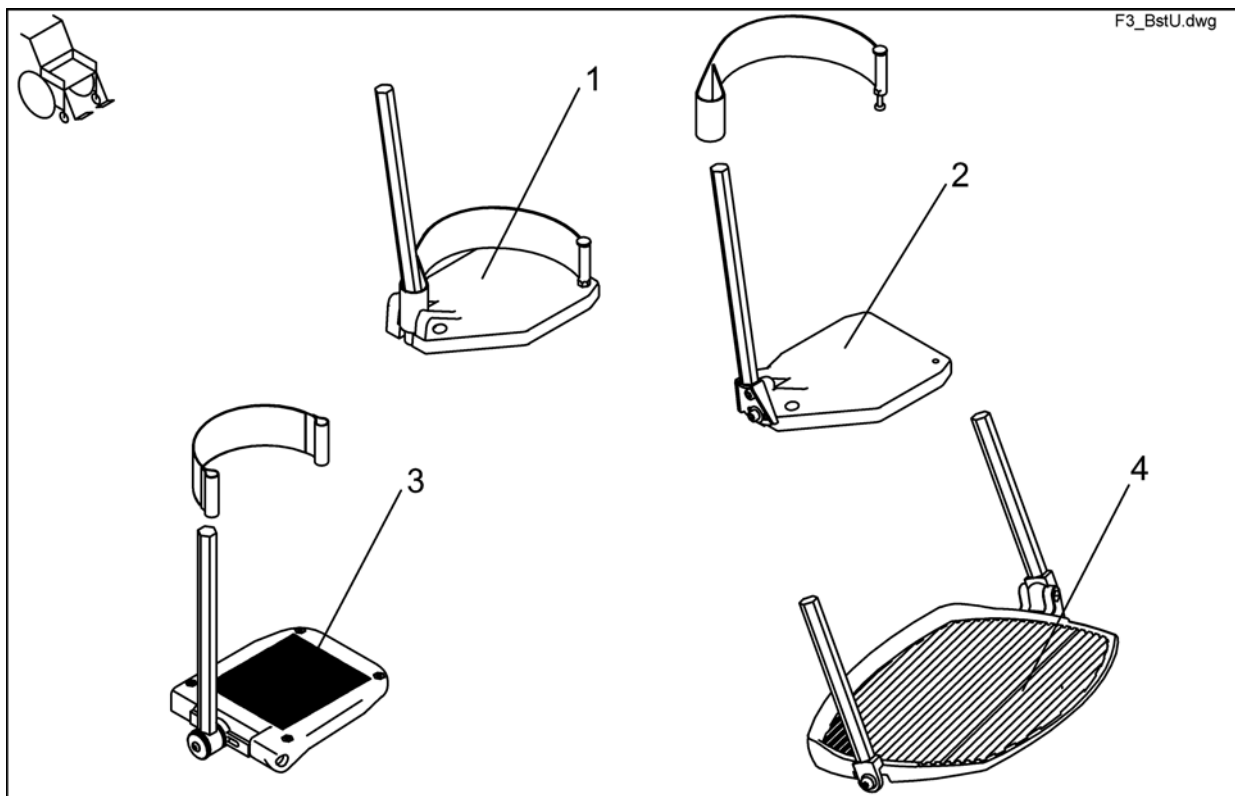
## Support Tube with Footplate for central Legrest

1440290X.dwg

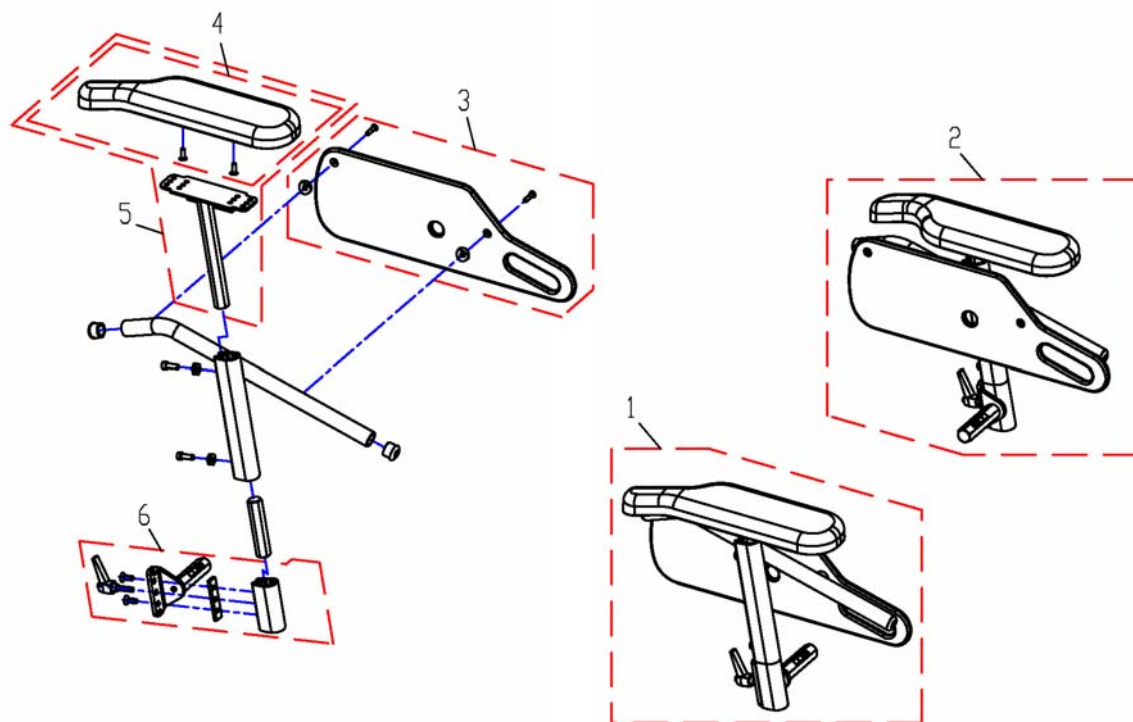


| Pos. | Part number | Description                                   | Valid from → until | Qty |
|------|-------------|---|--------------------|-----|
| 1    | SP1440442   | Central Lower Legrest, small                  |                    | 1   |
| 1    | SP1440443   | Central Lower Legrest, medium                 |                    | 1   |
| 1    | SP1440444   | Central Lower Legrest, large                  |                    | 1   |
| 2    | SPF00002    | Fixation kit                                  |                    | 1   |
| 3    | SP1440517   | Darning                                       |                    | 1   |
| 4    | SP1440290   | Central Lower Legrest, small (32-38cm), cpl.  |                    | 1   |
| 4    | SP1440291   | Central Lower Legrest, medium (38-44cm), cpl. |                    | 1   |
| 4    | SP1440292   | Central Lower Legrest, large (44-50cm), cpl.  |                    | 1   |

## Lower Footrests

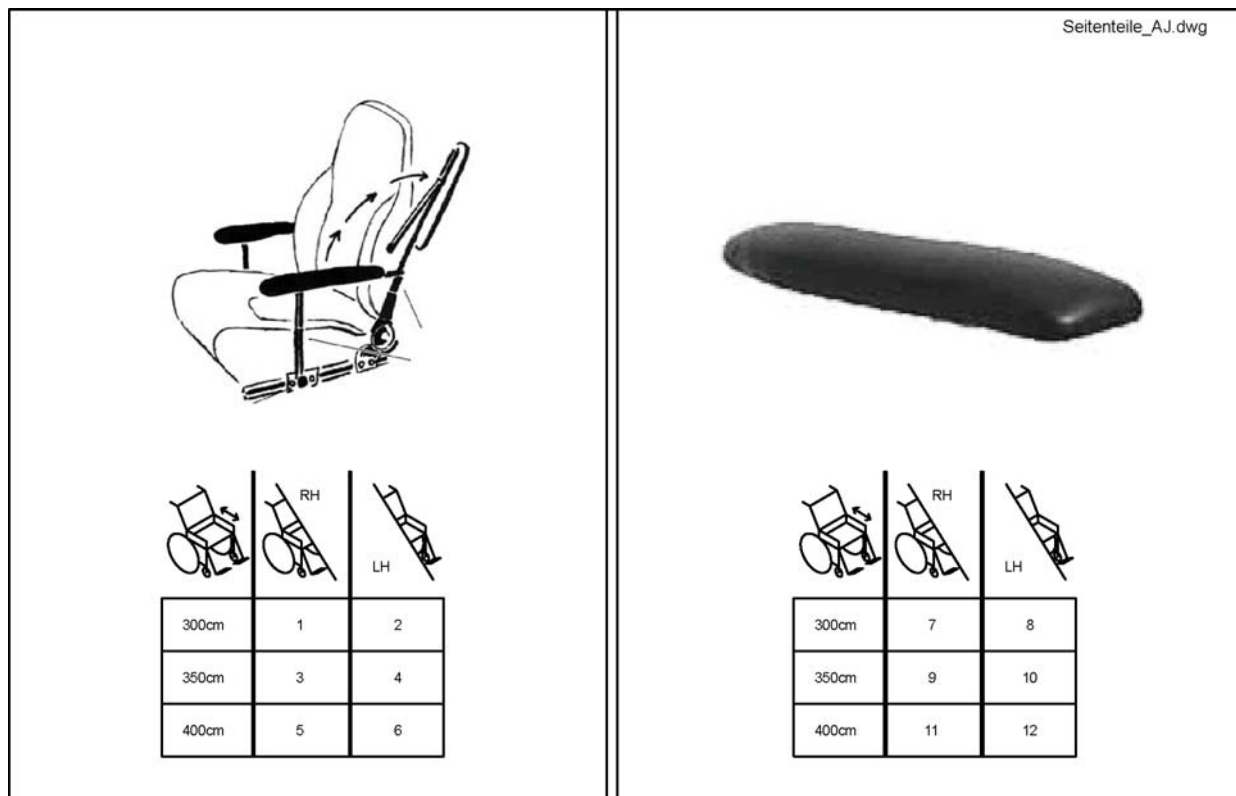


| Pos. | Part number | Description   | Valid from → until | Qty |
|------|-------------|---|--------------------|-----|
| 1    | SP1421663   | Footplate LH fix, with Support Tube cpl.                        |                    | 1   |
| 1    | SP1421662   | Footplate RH fix, with Support Tube cpl.                        |                    | 1   |
| 2    | SP1421664   | Footplate RH anlge adjustable, with Support Tube cpl.           |                    | 1   |
| 2    | SP1421665   | Footplate LH anlge adjustable, with Support Tube cpl.           |                    | 1   |
| 3    | SP1419345   | Foot Plate RH Angle And Depth Adjustable cpl.                   |                    | 1   |
| 3    | SP1419344   | Footplate LH Anlge And Depth Adjustable, With Support Tube cpl. |                    | 1   |
| 4    | SP1423156   | PRE-ASSEMBLED FOOT BOARD  |                    | 1   |



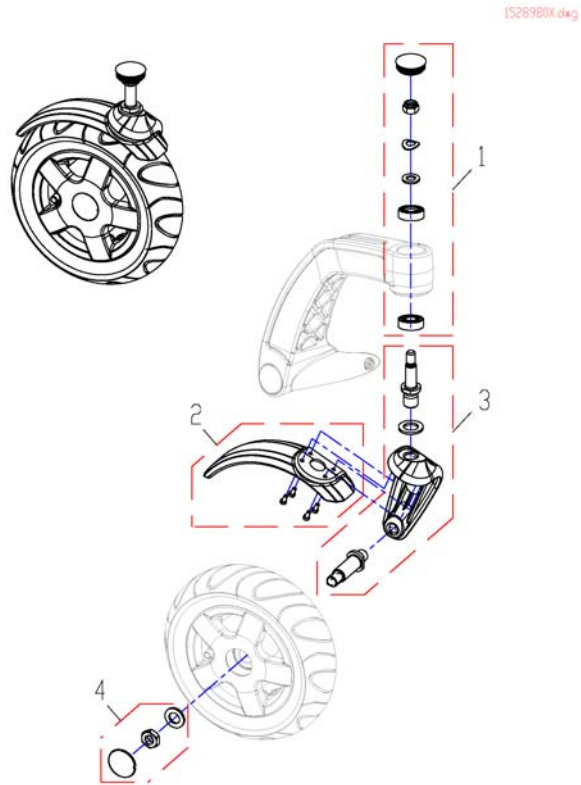
| Pos. | Part number | Description                       | Valid from → until | Qty |
|------|-------------|-----------------------------------|--------------------|-----|
| 1    | SP1421692   | Armrest cpl., height max, 34cm RH |                    | 1   |
| 1    | SP1421694   | Armrest cpl., height max. 34cm LH |                    | 1   |
| 2    | SP1421693   | Armrest cpl., height max. 38cm RH |                    | 1   |
| 2    | SP1421695   | Armrest cpl., height max. 38cm LH |                    | 1   |
| 3    | 1420471     | SIDE PART PLATE                   |                    | 1   |
| 4    | SP1449043   | Armpad RH                         |                    | 1   |
| 4    | SP1443004   | Armpad LH                         |                    | 1   |
| 5    | SP1528861   | Armpad with Holder RH             |                    | 1   |
| 5    | SP1528862   | Armpad with Holder LH             |                    | 1   |
| 6    | SP1423223   | SIDE PART RECEPTACLE RH CPL.      |                    | 1   |
| 6    | SP1423225   | SIDE PART RECEPTACLE LH CPL.      |                    | 1   |

## Side Panels for Arne Jensen-Seats



| Pos. | Part number | Description                  | Valid from → until | Qty |
|------|-------------|------------------------------|--------------------|-----|
| 1    | 1419657     | Armrest Optimist 30cm RH     |                    | 1   |
| 2    | 1419658     | Armrest Optimist 30cm LH     |                    | 1   |
| 3    | 1419659     | Armrest Optimist 35cm RH     |                    | 1   |
| 4    | 1419660     | Armrest Optimist 35cm LH     |                    | 1   |
| 5    | 1419661     | Armrest Optimist 40cm RH     |                    | 1   |
| 6    | 1419662     | Armrest Optimist 40cm LH     |                    | 1   |
| 7    | 1419647     | Armrest Pad Optimist 30cm RH |                    | 1   |
| 8    | 1419648     | Armrest Pad Optimist 30cm LH |                    | 1   |
| 9    | 5314011     | Armrest Pad Optimist 35cm RH |                    | 1   |
| 10   | 5314010S    | Armrest Pad Optimist 35cm LH |                    | 1   |
| 11   | 5314011L    | Armrest Pad Optimist 40cm RH |                    | 1   |
| 12   | 5314010     | Armrest Pad Optimist 40cm LH |                    | 1   |

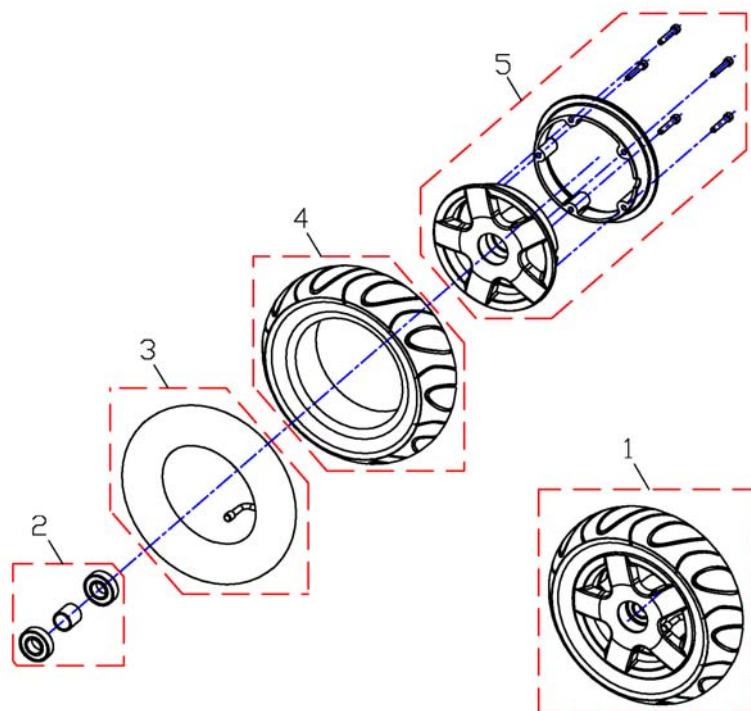
# Front Fork



| Pos. | Part number | Description   | Valid from → until | Qty |
|------|-------------|---------------|--------------------|-----|
| 1    | SP1530529   | Bearing-Kit   |                    | 1   |
| 2    | SP1530530   | Mudguard RH   |                    | 1   |
| 2    | SP1530553   | Mudguard LH   |                    | 1   |
| 3    | SP1422772   | WHEEL FORK RH |                    | 1   |
| 3    | SP1422771   | WHEEL FORK LH |                    | 1   |
| 4    | SP1530554   | Fastening-Kit |                    | 1   |

# Front Wheels

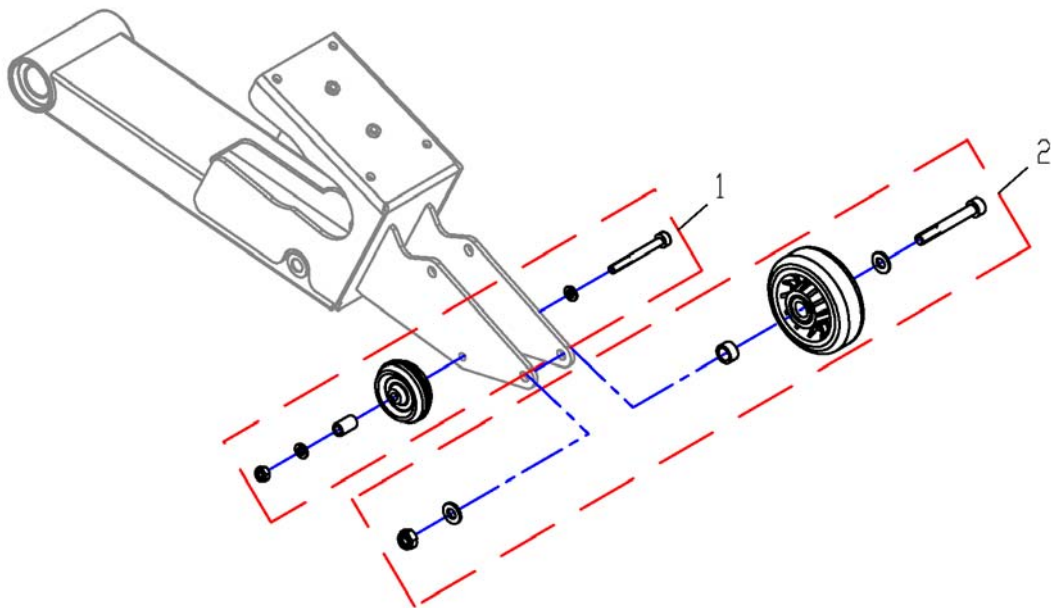
1419256.dwg



| Pos. | Part number | Description   | Valid from → until | Qty |
|------|-------------|---|--------------------|-----|
| 1    | SP1418531   | WHEEL 3.00-6" AIR, GREY, CPL.                         |                    | 1   |
| 1    | SP1422932   | WHEEL 3.00-6" PUNCTURE-PROTECTED, GREY, CPL.          |                    | 1   |
| 1    | SP1430231   | WHEEL 3.00-6" PUNCTURE-PROOF, SOLID INLAY, GREY, CPL. |                    | 1   |
| 2    | SP1423182   | WHEEL RIM BEARING SET 6", CPL.                        |                    | 1   |
| 3    | 1415175     | TUBE 3.00 X 6 90 ° TR 87                              |                    | 1   |
| 4    | 1418532     | COVER 3.00-6", GREY                                   |                    | 1   |
| 4    | 1430229     | OUTER TYRE 3.00-6 GREY PUNCTURE-PROOF SOLID INLAY     |                    | 1   |
| 5    | SP1423181   | WHEEL RIM ASSEMBLY KIT 6", CPL.                       |                    | 1   |








# Anti-Tipper

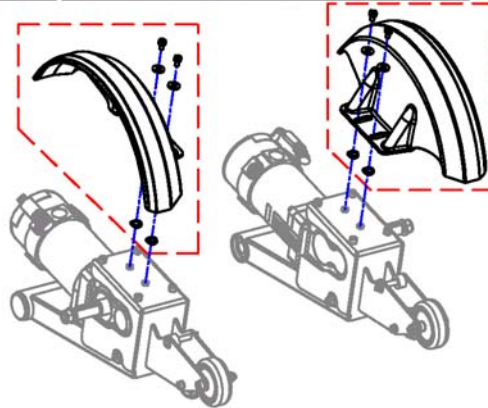
1428929.dwg



| Pos. | Part number | Description              | Valid from → until | Qty |
|------|-------------|--------------------------|--------------------|-----|
| 1    | SP1530555   | Anti-Tip-Wheel cpl., Ø50 |                    | 1   |
| 2    | SP1530556   | Anti-Tip-Wheel cpl., Ø80 |                    | 1   |

# Mud Guard

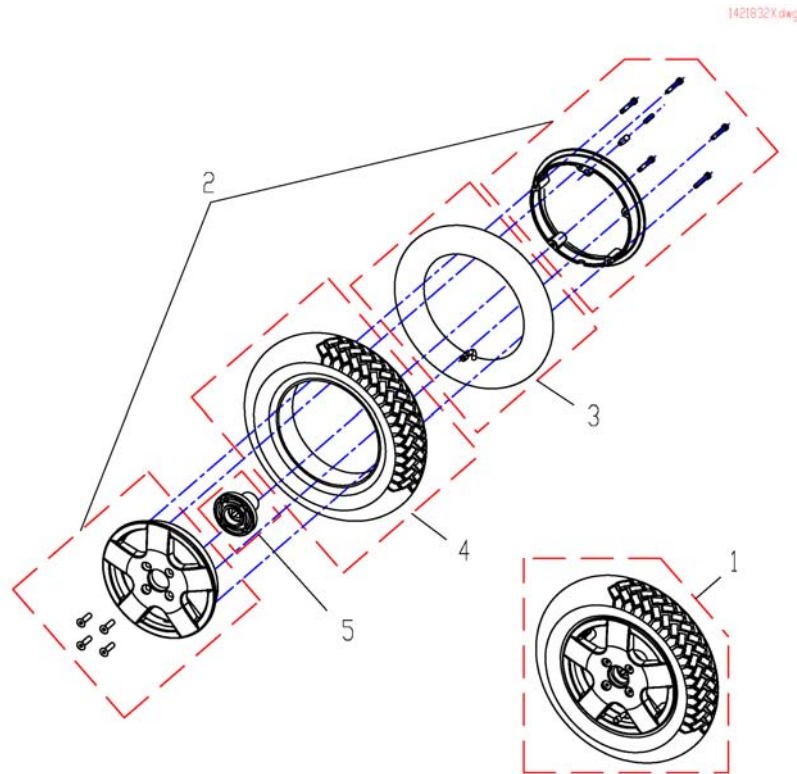
|   | RH  |   | LH  |   |             | RH  |   | LH  |   |           | RH  |   | LH  |   |
|---|---|---|---|---|-------------|---|---|---|---|-----------|---|---|---|---|
|   | 1   | 2 | 3   | 4 |             | 1   | 2 | 3   | 4 |           | 1   | 2 | 3   | 4 |
|  |  |   |  |   |             |  |   |  |   |           |  |   |  |   |
| Kurze Sitzplatte<br>Short Seatplate   |   |   |   |   |             |   |   |   |   |           |   |   |   |   |
| T=43 B=38   | ✓   | ✓ | ✗   | ✗ | T=48 B=38   | ✓   | ✓ | ✗   | ✗ | T=53 B=38 | ✓   | ✓ | ✗   | ✗ |
| T=43 B=43   | ✓   | ✓ | ✗   | ✗ | T=48 B=43   | ✓   | ✓ | ✗   | ✗ | T=53 B=43 | ✓   | ✓ | ✗   | ✗ |
| T=43 B=48   | ✓   | ✓ | ✗   | ✗ | T=48 B=48   | ✓   | ✓ | ✗   | ✗ | T=53 B=48 | ✗   | ✗ | ✓   | ✓ |
| T=43 B=53   | ✓   | ✓ | ✗   | ✗ | T=48 B=53   | ✗   | ✗ | ✓   | ✓ | T=53 B=53 | ✗   | ✗ | ✓   | ✓ |
| T=41 B=38   | ✓   | ✓ | ✗   | ✗ | T=46 B=38   | ✓   | ✓ | ✗   | ✗ | T=51 B=38 | ✓   | ✓ | ✗   | ✗ |
| T=41 B=43   | ✓   | ✓ | ✗   | ✗ | T=46 B=43   | ✓   | ✓ | ✗   | ✗ | T=51 B=43 | ✓   | ✓ | ✗   | ✗ |
| T=41 B=48   | ✓   | ✓ | ✗   | ✗ | T=46 B=48   | ✓   | ✓ | ✗   | ✗ | T=51 B=48 | ✗   | ✗ | ✓   | ✓ |
| T=41 B=53   | ✓   | ✓ | ✗   | ✗ | T=46 B=53   | ✗   | ✗ | ✓   | ✓ | T=51 B=53 | ✗   | ✗ | ✓   | ✓ |
| T=38 B=38   | ✓   | ✓ | ✗   | ✗ | T=43 B=38   | ✓   | ✓ | ✗   | ✗ | T=48 B=38 | ✓   | ✓ | ✗   | ✗ |
| T=38 B=43   | ✓   | ✓ | ✗   | ✗ | T=43 B=43   | ✓   | ✓ | ✗   | ✗ | T=48 B=43 | ✓   | ✓ | ✗   | ✗ |
| T=38 B=48   | ✓   | ✓ | ✗   | ✗ | T=43 B=48   | ✓   | ✓ | ✗   | ✗ | T=48 B=48 | ✗   | ✗ | ✓   | ✓ |
| T=38 B=53   | ✓   | ✓ | ✗   | ✗ | T=43 B=53   | ✗   | ✗ | ✓   | ✓ | T=48 B=53 | ✗   | ✗ | ✓   | ✓ |
| Recaro Seat   | ✓   | ✓ | ✗   | ✗ | Optist Seat | ✗   | ✗ | ✓   | ✓ |           |   |   |   |   |



| Pos. | Part number | Description          | Valid from → until | Qty |
|------|-------------|----------------------|--------------------|-----|
| 1    | SP1530557   | Mud Guard, long, RH  |                    | 1   |
| 2    | SP1530558   | Mud Guard, long, LH  |                    | 1   |
| 3    | SP1530559   | Mud Guard, short, RH |                    | 1   |
| 4    | SP1530560   | Mud Guard, short, LH |                    | 1   |



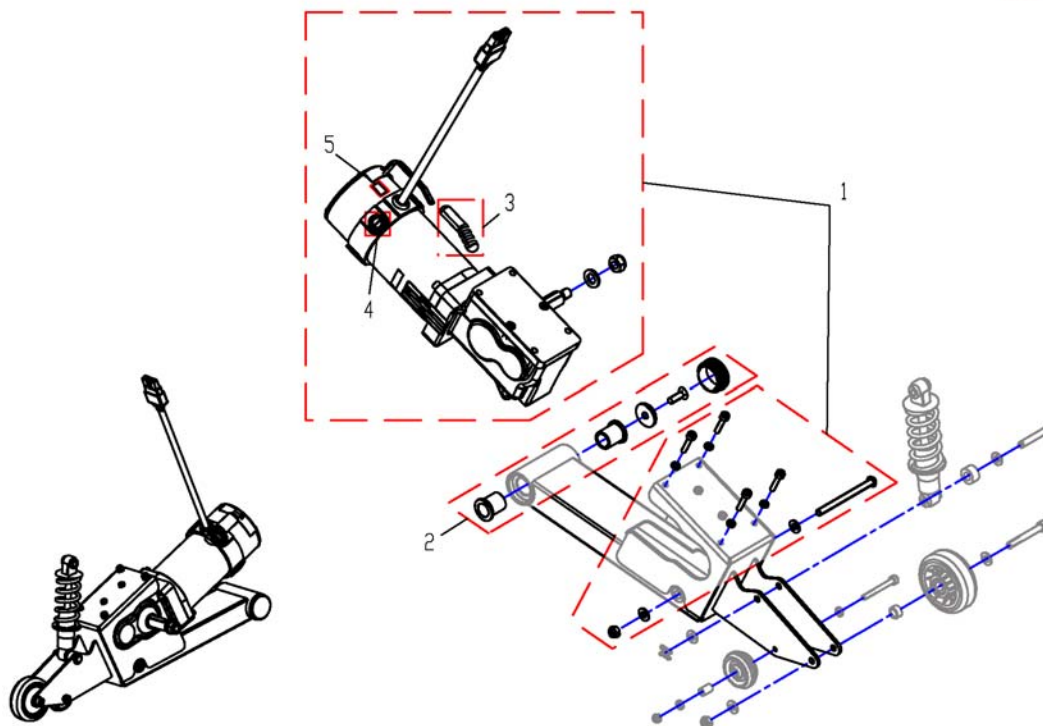
# Drive Wheel



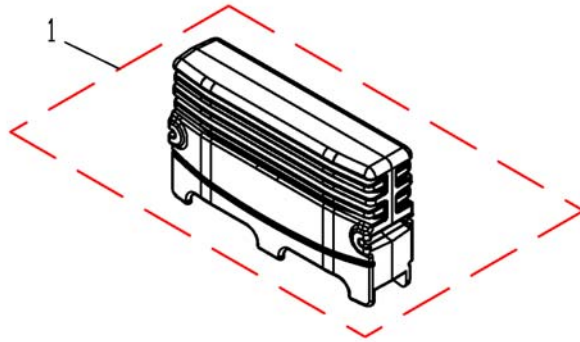
| Pos. | Part number  | Description                                 | Valid from → until | Qty |
|------|--------------|---|--------------------|-----|
| 1    | SP1530561    | Rear Wheel, grey, pneumatic                 |                    | 1   |
| 1    | SP1529713    | Rear Wheel, grey, puncture proof            |                    | 1   |
| 1    | SP1523161    | Drive Wheel Assembly, w/ Flat Free (14"x3") |                    | 1   |
| 1    | SP1421800    | Rear Wheel, Trelleborg, pneumatic           |                    | 1   |
| 1    | SP1421832    | Rear Wheel, Trelleborg, puncture proof      |                    | 1   |
| 2    | SP1423184    | WHEEL RIM ASSEMBLY KIT 8", CPL.             |                    | 1   |
| 3    | M12016       | Inner tube 3.00-8" with valve TR 87-90/90°  |                    | 1   |
| 4    | M11968       | Tyre 3.00-8, grey Trelleborg                |                    | 1   |
| 4    | SP1522940    | Tire, Pneumatic (14"x 3")                   |                    | 1   |
| 4    | SP1523019    | Tire with Flat Free (14"x3")                |                    | 1   |
| 5    | 1509054-0002 | Wheel Hub                                   |                    | 1   |

# Propulsion

1528309X.dwg



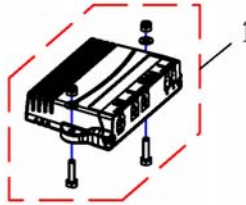
| Pos. | Part number | Description                         | Valid from → until | Qty |
|------|-------------|-------------------------------------|--------------------|-----|
| 1    | SP1530577   | Drivingmotor, 6km/h, cpl., RH       |                    | 1   |
| 1    | SP1530578   | Drivingmotor, 6km/h, cpl., LH       |                    | 1   |
| 1    | SP1530579   | Drivingmotor, 10km/h, cpl., RH      |                    | 1   |
| 1    | SP1530580   | Drivingmotor, 10km/h, cpl., LH      |                    | 1   |
| 2    | SP1530581   | Bush Bearin-Kit                     |                    | 1   |
| 3    | SP1522976   | Cap, Brake                          |                    | 1   |
| 4    | SP1522967   | Brushes with Caps,4 Pole (Set of 4) |                    | 1   |
| 5    | SP1422808   | Labelset "Push/Drive"               |                    | 1   |



| Pos. | Part number | Description                           | Valid from → until | Qty |
|------|-------------|---------------------------------------|--------------------|-----|
| 1    | SP1524244   | Powermodule ACS 2 PMA90L (with light) |                    | 1   |

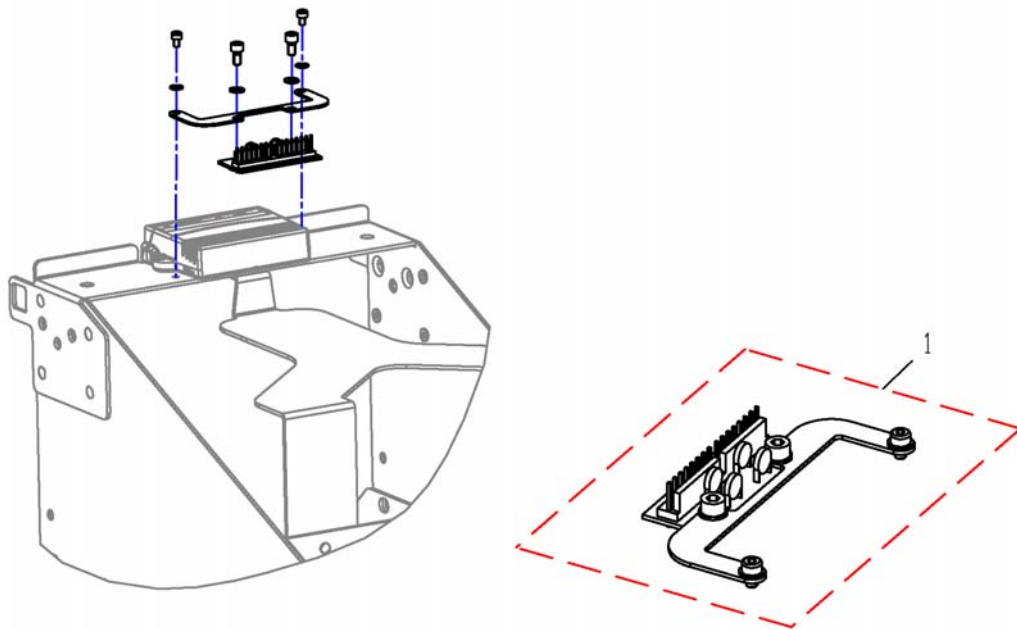
# ACT for ACS 2

1528542X.dwg



| Pos. | Part number | Description         | Valid from → until | Qty |
|------|-------------|---------------------|--------------------|-----|
| 1    | SP1528542   | ACT2 for ACS2, cpl. |                    | 1   |
| 1    | SP1529382   | ACT4 for ACS2, cpl. |                    | 1   |

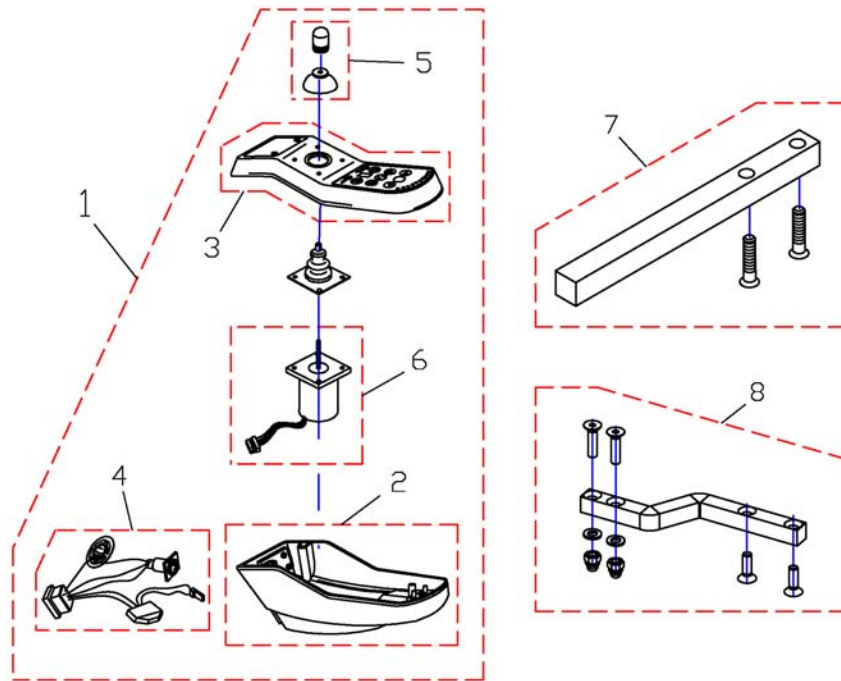
1528890X.dwg



| Pos. | Part number | Description      | Valid from → until | Qty |
|------|-------------|------------------|--------------------|-----|
| 1    | SP1528890   | Lightboard, cpl. |                    | 1   |

# Remote REM24SD & Holder

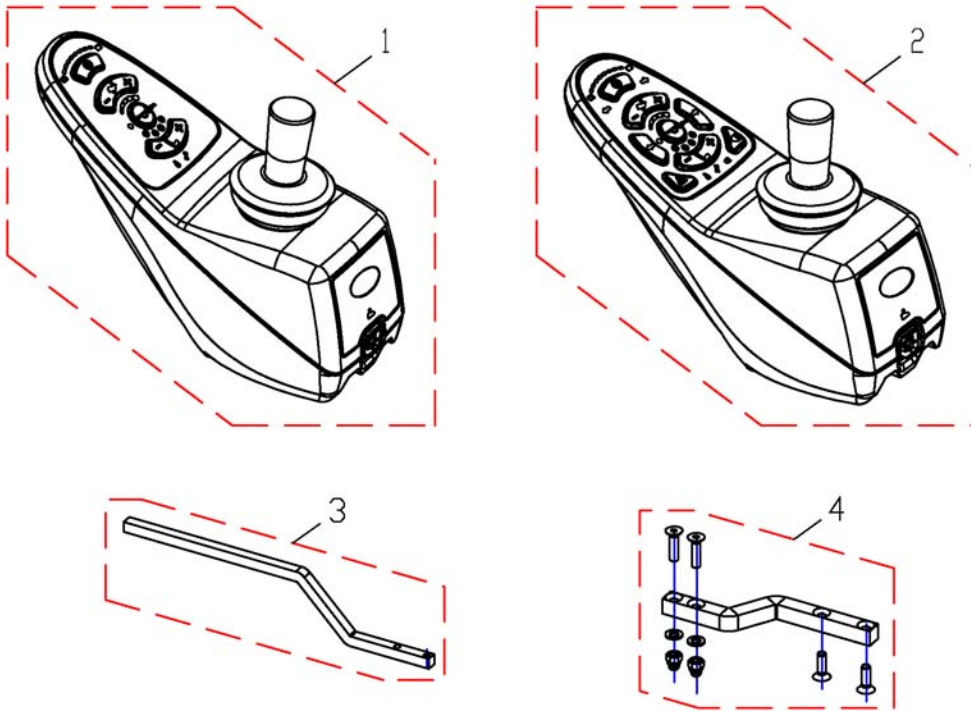
1436541X.dwg



| Pos. | Part number | Description  | Valid from → until | Qty |
|------|-------------|--|--------------------|-----|
| 1    | 1436541     | ACS REM24SD Joystick   |                    | 1   |
| 2    | SP1497416   | casing bottom part for REM24SD   |                    | 1   |
| 3    | SP1497417   | casing upper part for REM24SD with keypad                                |                    | 1   |
| 4    | SP1497418   | Internal Cable Loom for REM 24SD   |                    | 1   |
| 5    | SP6001771   | Joystick upper part  |                    | 1   |
| 6    | SP1497419   | Joystick for REM 24SD  |                    | 1   |
| 7    | SP1436542   | Joystick Box Support Std. For REM 24SD, With Screws                      |                    | 1   |
| 8    | SP1498222   | Installation-Kit For Control Unit Support Swing-Away Mechanism REM 24 SD |                    | 1   |

## Remotes REM A & REM B & Holder

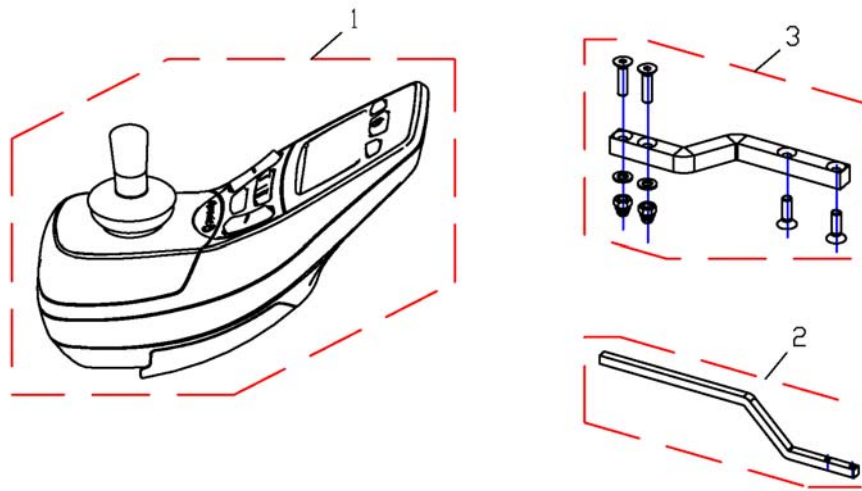
1523440.dwg



| Pos. | Part number  | Description  | Valid from → until | Qty |
|------|--------------|--|--------------------|-----|
| 1    | SP1523440    | Remote "REM A"   |                    | 1   |
| 2    | SP1523445    | Remote "REM B"   |                    | 1   |
| 3    | 1440440-9005 | JOYSTICK BOX SUPPORT SHARK, WITHOUT SCREWS                               |                    | 1   |
| 4    | SP1498222    | Installation-Kit For Control Unit Support Swing-Away Mechanism REM 24 SD |                    | 1   |

# Remote REM550 & Holder

1523444.dwg

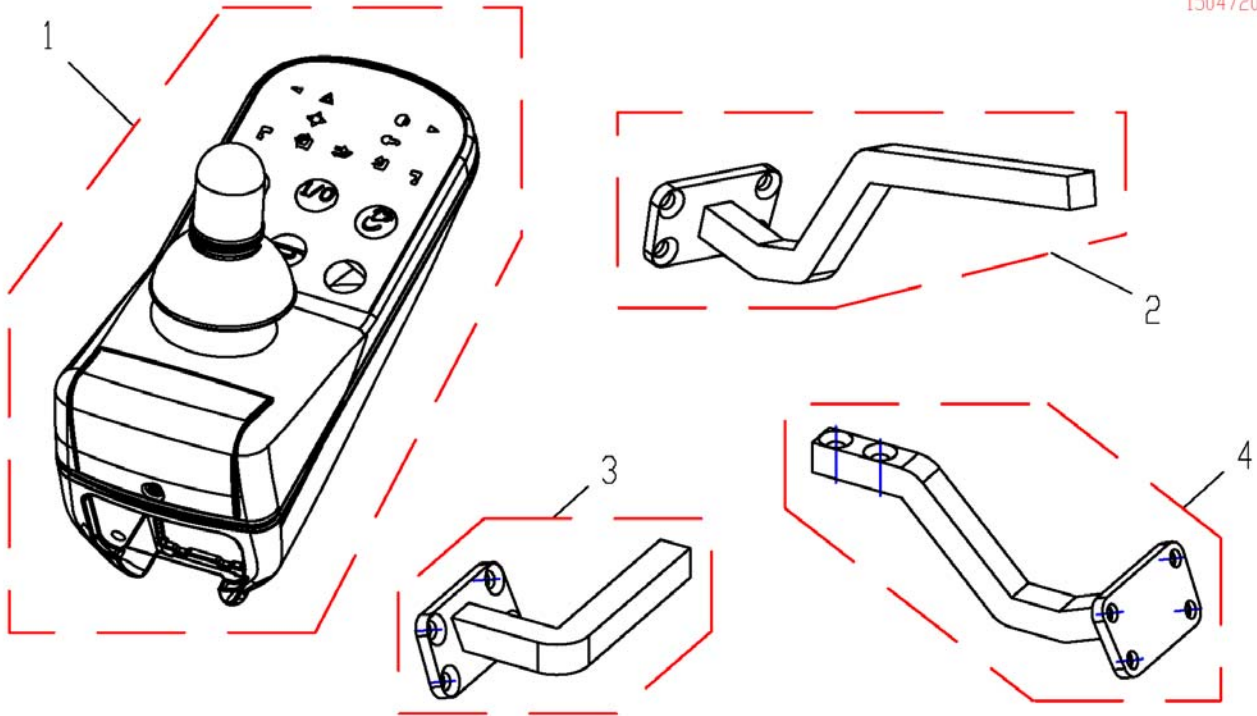


| Pos. | Part number  | Description  | Valid from → until | Qty |
|------|--------------|--|--------------------|-----|
| 1    | SP1523444    | Remote REM550  |                    | 1   |
| 2    | 1440440-9005 | JOYSTICK BOX SUPPORT SHARK, WITHOUT SCREWS                               |                    | 1   |
| 3    | SP1498222    | Installation-Kit For Control Unit Support Swing-Away Mechanism REM 24 SD |                    | 1   |



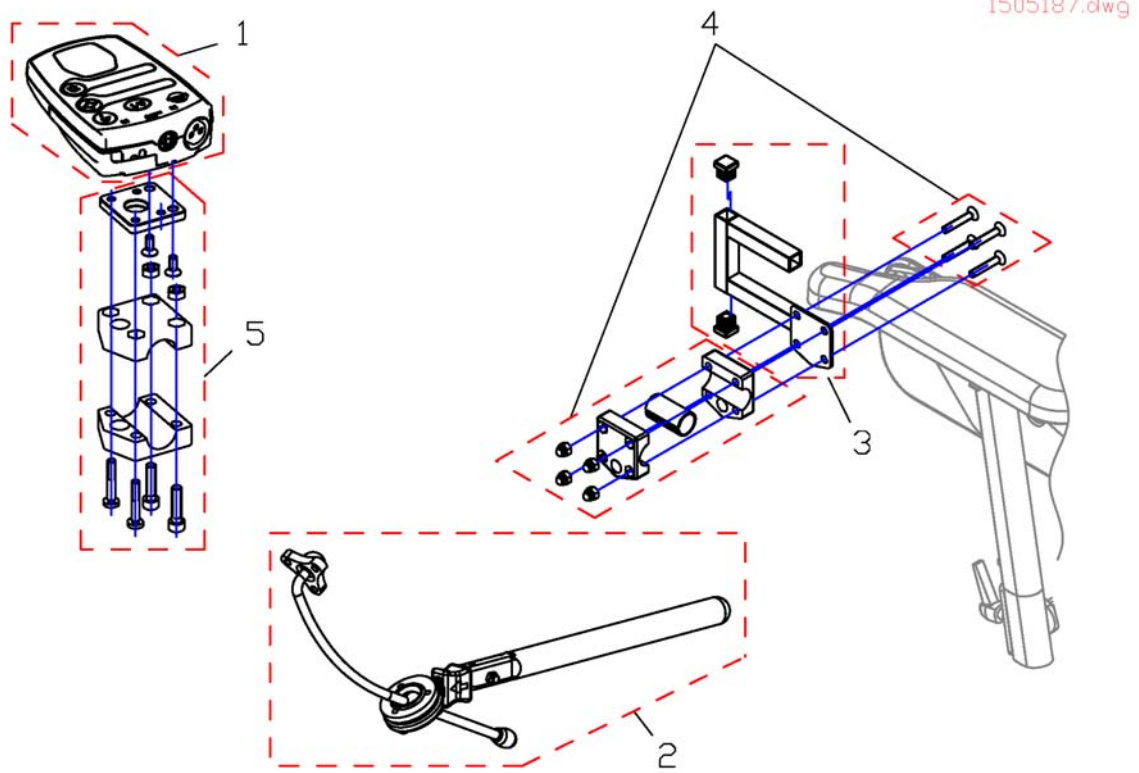
## G90 & Holder

1504720.dwg



| Pos. | Part number | Description                              | Valid from → until | Qty |
|------|-------------|--|--------------------|-----|
| 1    | 1504720     | Remote G90A                              |                    | 1   |
| 2    | SP1504822   | Remote Bracket Tube G90A Standard        |                    | 1   |
| 3    | SP1509439   | Remote Bracket Attendant Control G90A RH |                    | 1   |
| 3    | SP1509435   | Remote Bracket Attendant Control G90A LH |                    | 0   |
| 4    | SP1509071   | Remote Bracket G90A swing away           |                    | 1   |

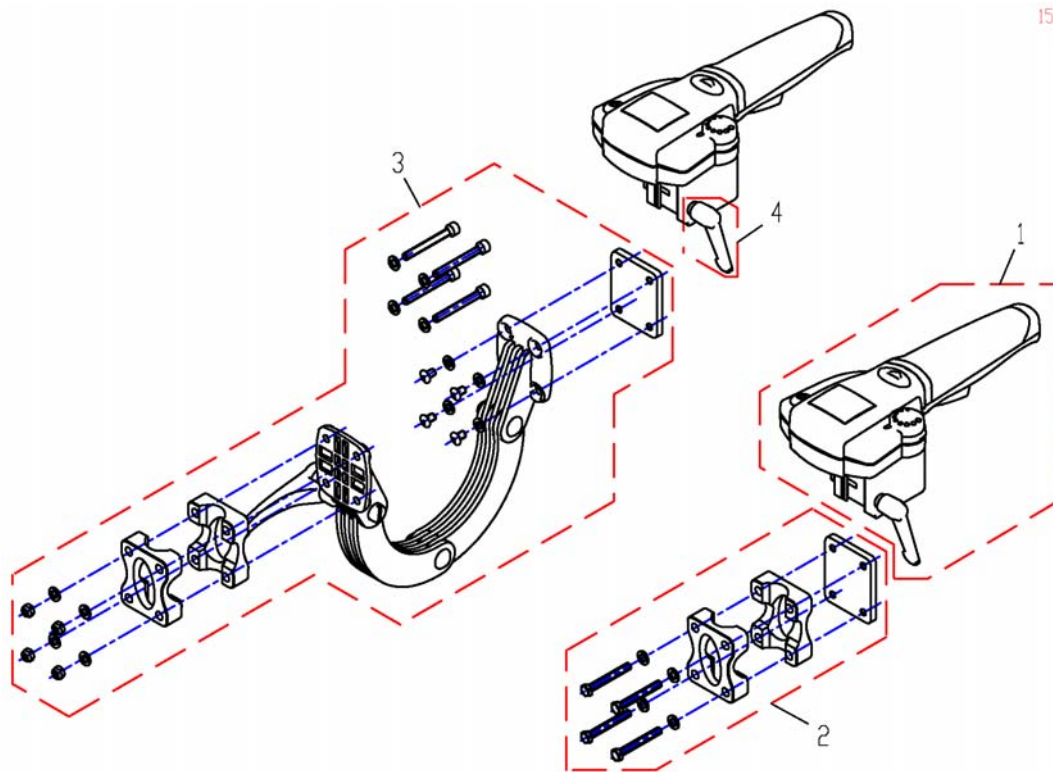
## G91 & Holder



| Pos. | Part number | Description                                 | Valid from → until | Qty |
|------|-------------|---|--------------------|-----|
| 1    | 1505187     | Remote Control G91                          |                    | 1   |
| 2    | SP1527504   | Swan Neck Remote Bracket with Adapter Plate |                    | 1   |
| 3    | SP1509711   | Adapter G91 RH                              |                    | 1   |
| 3    | SP1509716   | Adapter G91 LH                              |                    | 1   |
| 4    | SP1527503   | Gripper Clamp cpl.                          |                    | 1   |
| 5    | SP1528271   | Holder for Backresttube                     |                    | 1   |

# IDC Dual Control

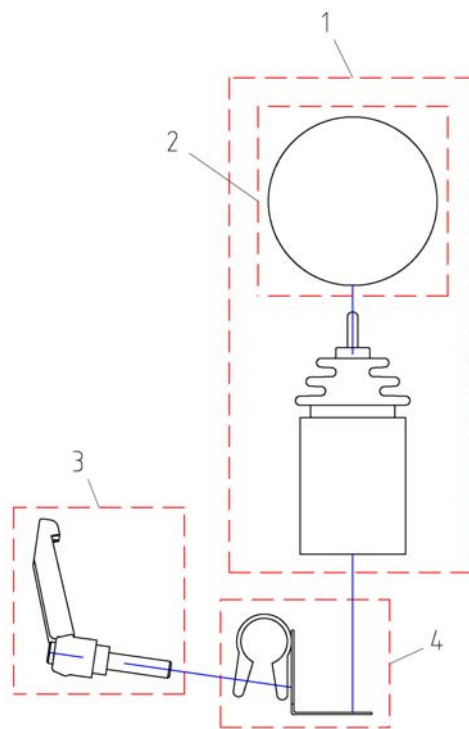
1509875X.dwg



| Pos. | Part number | Description           | Valid from → until | Qty |
|------|-------------|-----------------------|--------------------|-----|
| 1    | SP1509875   | Intuitiv Dual Control |                    | 1   |
| 2    | SP1522310   | Fixed Bracket         |                    | 1   |
| 3    | SP1521488   | Adjustable Bracket    |                    | 1   |
| 4    | SP1510135   | Clamp Lever M5x10     |                    | 1   |

# Chin Control

1448705.dwg



| Pos. | Part number | Description                               | Valid from → until | Qty |
|------|-------------|---|--------------------|-----|
| -    | 1442944     | Cable for Chin Control04 RH+LH swing away |                    | 1   |
| 1    | 1448705     | Remote for chin control                   |                    | 1   |
| 2    | Z183265     | FOAM CONTROL KNOB CPL.                    |                    | 1   |
| 3    | L32901      | LEVER M8, BLACK                           |                    | 1   |
| 4    | Z183285.00  | SUPPORT JOYSTICK CDE MENT.SPEC            |                    | 1   |

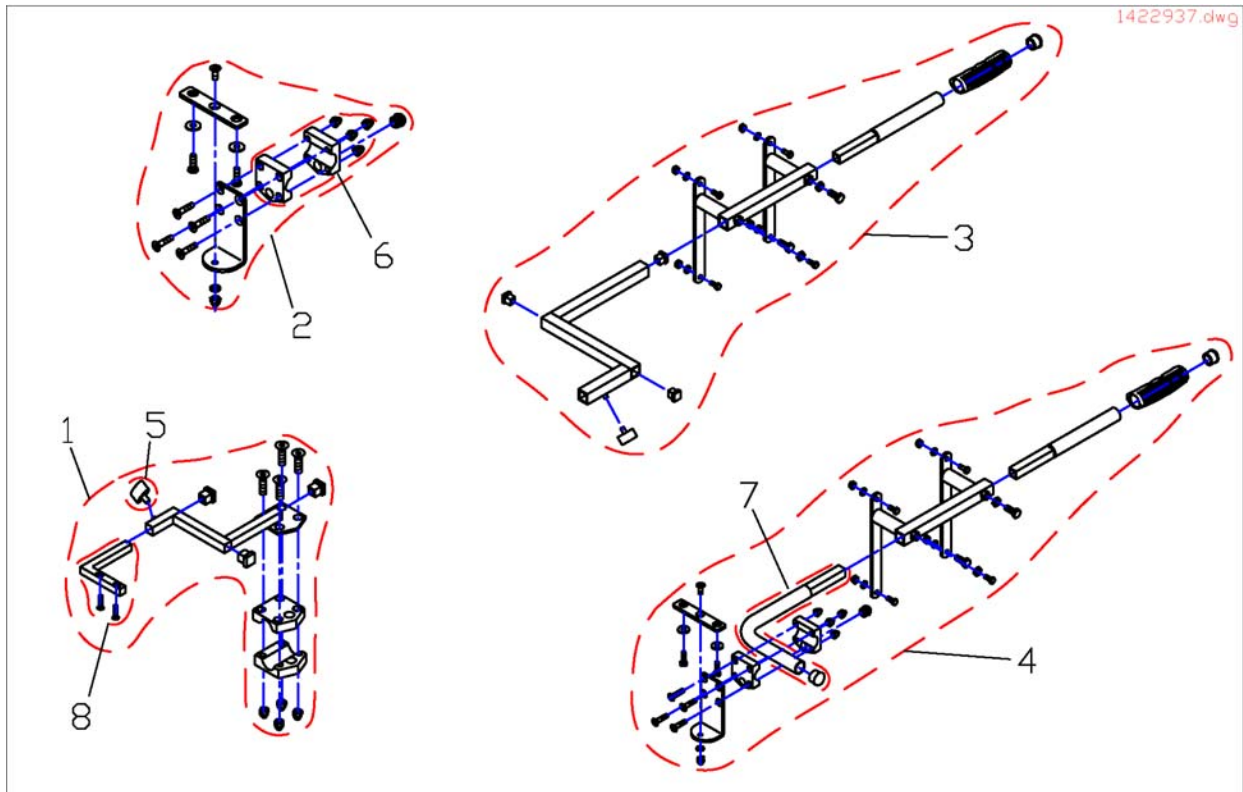
# REM34 (Dolphin)

1419205.dwg



| Pos. | Part number | Description                   | Valid from → until | Qty |
|------|-------------|-------------------------------|--------------------|-----|
| 1    | 1419205     | JOYSTICK BOX REM 34 (DOLPHIN) |                    | 1   |

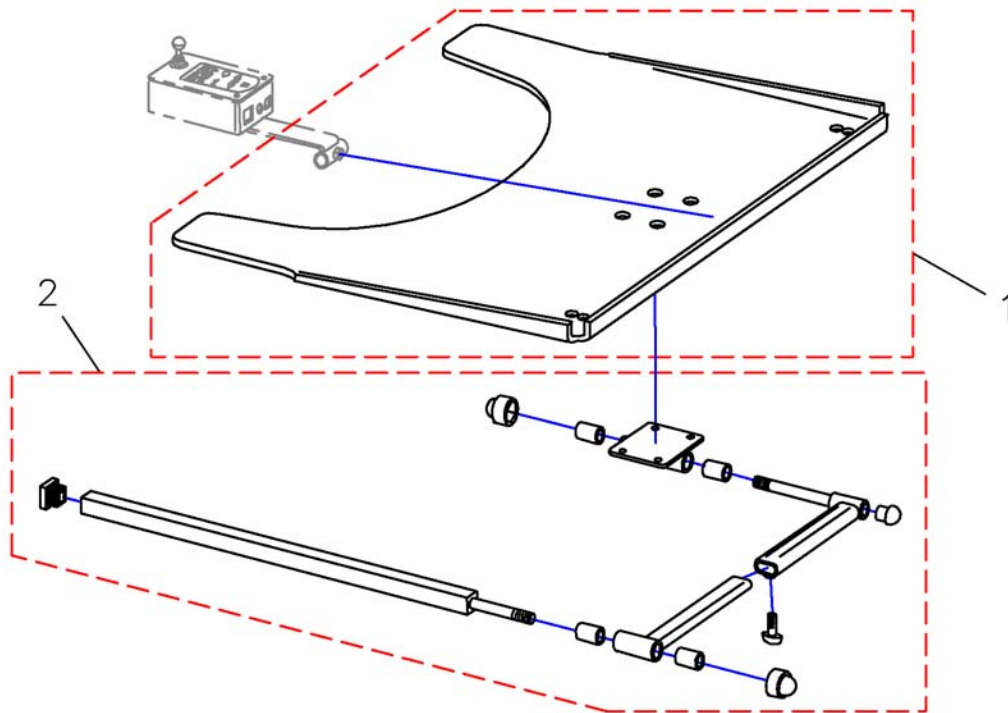
## Remote fixation, for Attendant Control



| Pos. | Part number  | Description  | Valid from → until | Qty |
|------|--------------|--|--------------------|-----|
| 1    | SP1422937    | Assembly Kit F. Std. Attendant Seat Control LH .           |                    | 1   |
| 1    | SP1422936    | Assembly Kit RH F. Std. Attendant Seat Control             |                    | 1   |
| 2    | SP1422818    | Assembly Kit For Dual Control (Standard/Kontour/Flex)      |                    | 1   |
| 3    | SP1422814    | Assebmly Kit for Dual Control cpl., RECARO LH              |                    | 1   |
| 3    | SP1422813    | Assebmly Kit for Dual Control cpl., RECARO RH              |                    | 1   |
| 4    | SP1422819    | ASSEMBLY KIT F. Dual Control RECARO                        |                    | 1   |
| 5    | -            | Wing ScREW M6X10   |                    | 1   |
| 6    | Z12008A.P40  | Gripping Clip With Hexagon Hole, Ral 9005 Black            |                    | 1   |
| 7    | F383065-9005 | HOLDER FOR ATTENDANT CONTROL RECARO, BLACK                 |                    | 1   |
| 8    | SP1440289    | ATTENDANT JOYSTICK BOX SUPPORT REM 24SD WITH SCREWS, LH    |                    | 1   |
| 8    | SP1440288    | ATTENDANT JOYSTICK BOX SUPPORT REM 24SD WITH SCREWS, RIGHT |                    | 1   |

# Tray

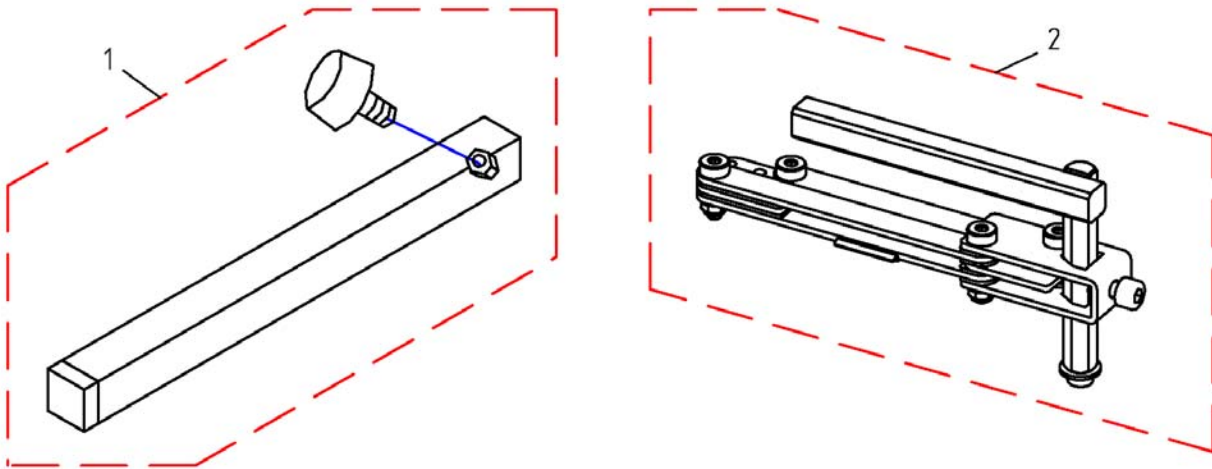
Z177036.dwg



| Pos. | Part number | Description                                    | Valid from → until | Qty |
|------|-------------|--|--------------------|-----|
| -    | SP1422954   | Tray Abschwenkbar, Ohne Ausschnitt, Komplett   |                    | 1   |
| -    | SP1422953   | Swing-Out Tray With Cut-Out F. Control RH cpl. |                    | 1   |
| -    | SP1422952   | Swing-Out Tray With Cut-Out F. Control LH cpl. |                    | 1   |
| 1    | Z177017     | Tray-LH Control, Transparent                   |                    | 1   |
| 1    | Z177016     | Tray-RH Control, Transparent                   |                    | 1   |
| 1    | Z17024A     | Tray 660 X 540 X 8, Transparent                |                    | 1   |
| 2    | SPZ177011   | Tray Support Fixing Kit cpl.                   |                    | 1   |

# Remote Holder

1496248PAC.dwg

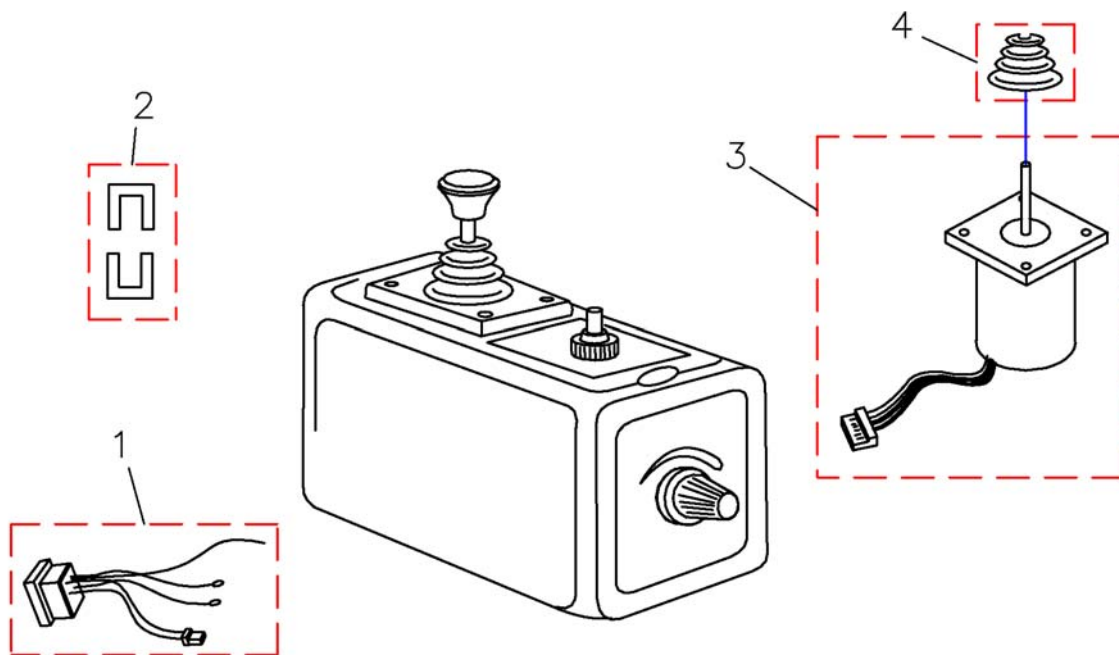


| Pos. | Part number | Description   | Valid from → until | Qty |
|------|-------------|---|--------------------|-----|
| 1    | SPS183040   | Remote Bracket Standard                             |                    | 1   |
| 2    | SP1496248   | Remote Bracket, Height Adjustable And Swing Away RH |                    | 1   |
| 2    | SP1496249   | Remote Bracket, Height Adjustable And Swing Away LH |                    | 1   |



# Attendant Control

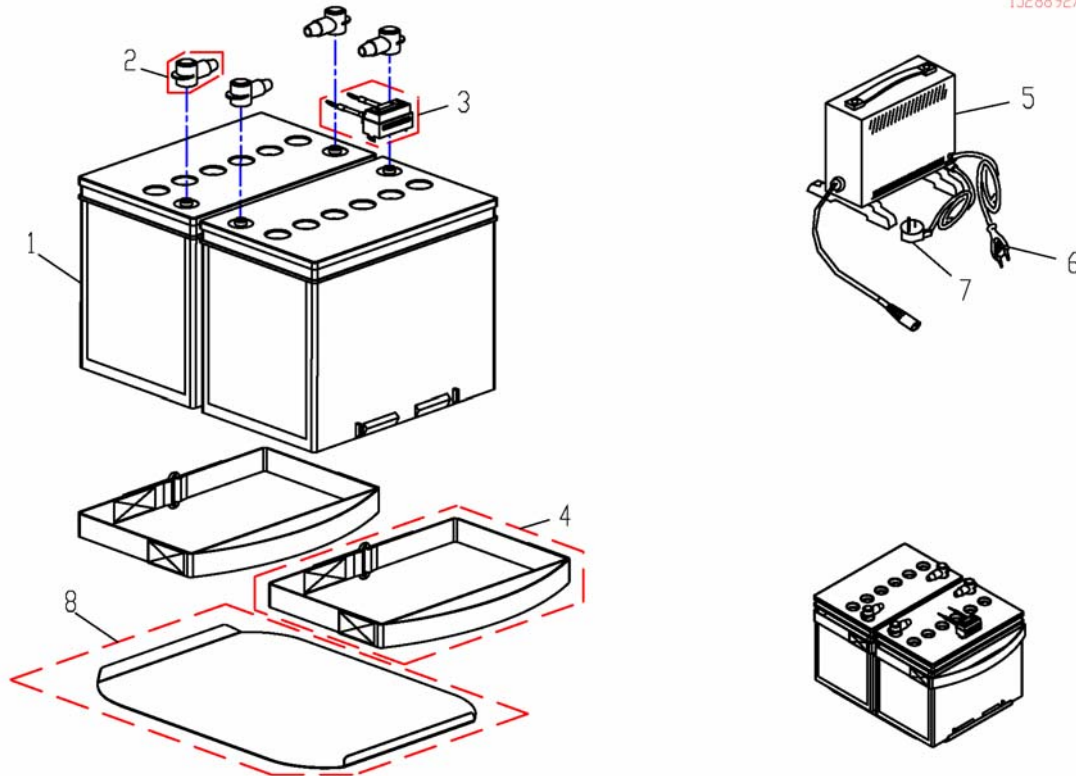
6001425.dwg



| Pos. | Part number | Description                        | Valid from → until | Qty |
|------|-------------|------------------------------------|--------------------|-----|
| -    | 6001425     | ACS Dual Control                   |                    | 1   |
| 1    | P41105      | Bus Cable Socket                   |                    | 1   |
| 2    | GME61927    | Fixing Clamp For ACS Bus Connector |                    | 1   |
| 3    | P10304      | ACS Joystick With Connecting Cable |                    | 1   |
| 4    | Z183001A    | Rubber Gaiter For ACS Remote       |                    | 1   |

# Batterys & Charger

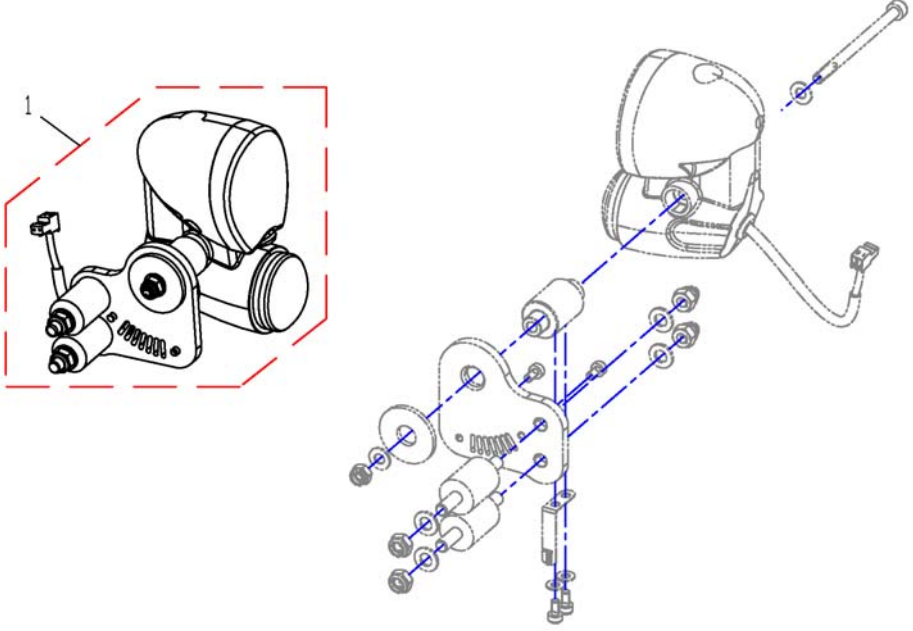
1528892X.dwg



| Pos. | Part number | Description   | Valid from → until | Qty |
|------|-------------|---|--------------------|-----|
| 1    | P50016      | BATTERY 70 AH   |                    | 1   |
| 2    | P52996      | Battery Terminal Cover  |                    | 1   |
| 3    | SP1525580   | Strip Fuse Holder with 80A Fuse   |                    | 1   |
| 4    | 1518073     | Batterystrap  |                    | 1   |
| 5    | P51981      | Universal Charger 24V/8Ah for Batterys up to 73Ah c20 (without Powercord) |                    | 1   |
| 6    | P21079      | Charger Power Cable (Shockproof Plug)                                     |                    | 1   |
| 7    | P21080      | Charger Power Cable (Uk)  |                    | 1   |
| 7    | 1443841     | ILT, NETKABEL CH,SCHWEIZ  |                    | 1   |
| 8    | SP1524214   | Battery Carrier Sheet   |                    | 1   |

# LED-Frontlight

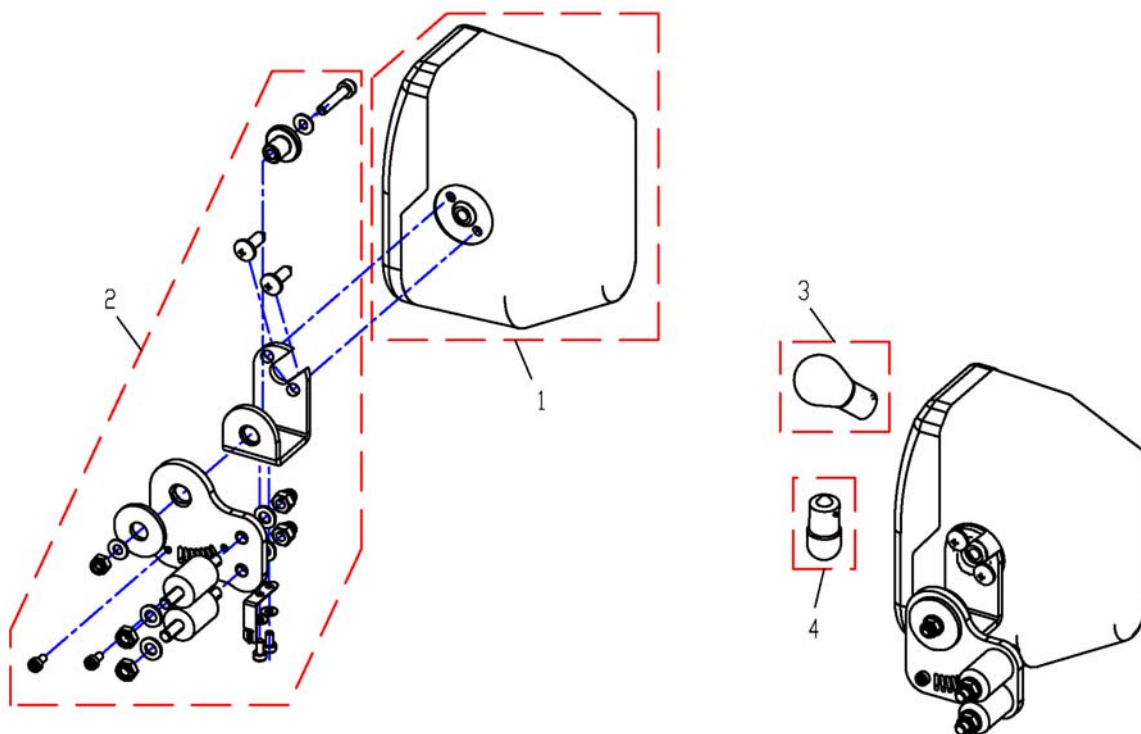
1527957X.dwg



| Pos. | Part number | Description             | Valid from → until | Qty |
|------|-------------|-------------------------|--------------------|-----|
| 1    | SP1527957   | LED-Frontlight RH, cpl. |                    | 1   |
| 1    | SP1527958   | LED-Frontlight LH, cpl. |                    | 1   |

# Frontlight

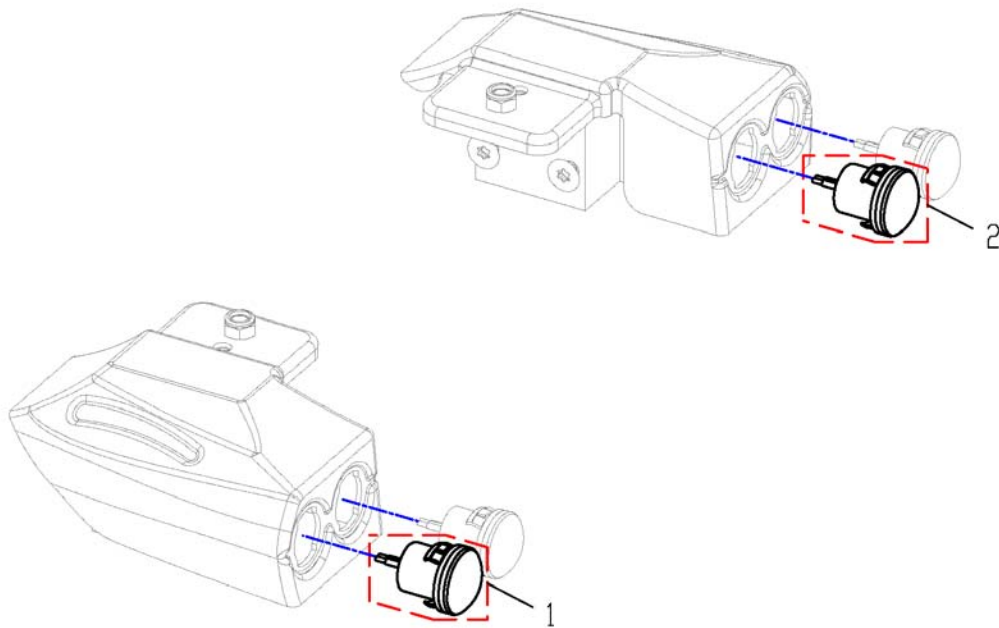
152832IX.dwg



| Pos. | Part number | Description                               | Valid from → until | Qty |
|------|-------------|---|--------------------|-----|
| 1    | SP1528548   | Frontlight RH                             |                    | 1   |
| 1    | SP1528547   | Frontlight LH                             |                    | 1   |
| 2    | SP1530570   | Holder Frontlight RH, cpl.                |                    | 1   |
| 2    | SP1530571   | Holder Frontlight LH, cpl.                |                    | 1   |
| 3    | 1419271     | Light Bulb 24V/21W Yellow, turn indicator |                    | 1   |
| 4    | P31108      | Light Bulb 24V/10W                        |                    | 1   |

# LED-Rearlight

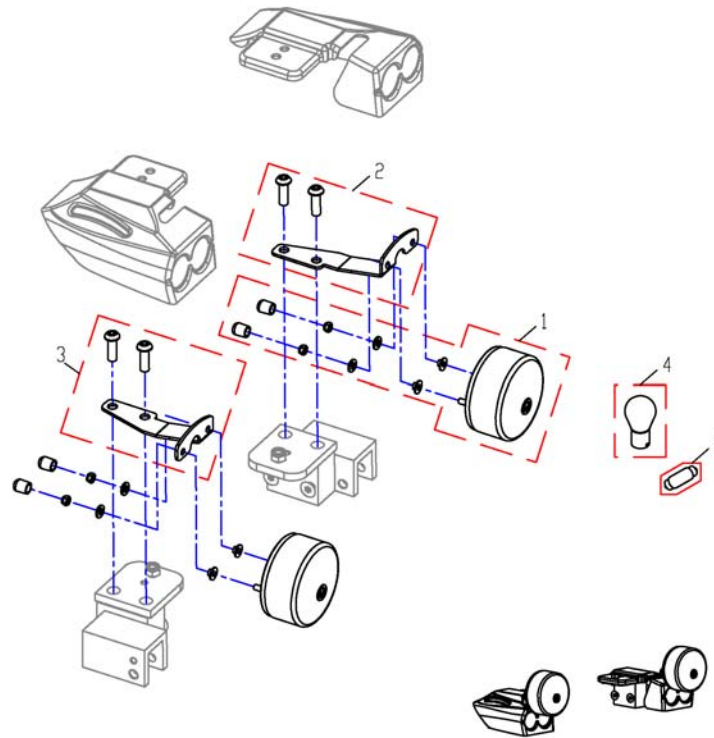
1529147X.dwg



| Pos. | Part number | Description         | Valid from → until | Qty |
|------|-------------|---------------------|--------------------|-----|
| -    | SP1529712   | Rearlight LED-Cable |                    | 1   |
| 1    | SP1530287   | Indikator           |                    | 1   |
| 2    | SP1530288   | Rearlight           |                    | 1   |

# Rearlight

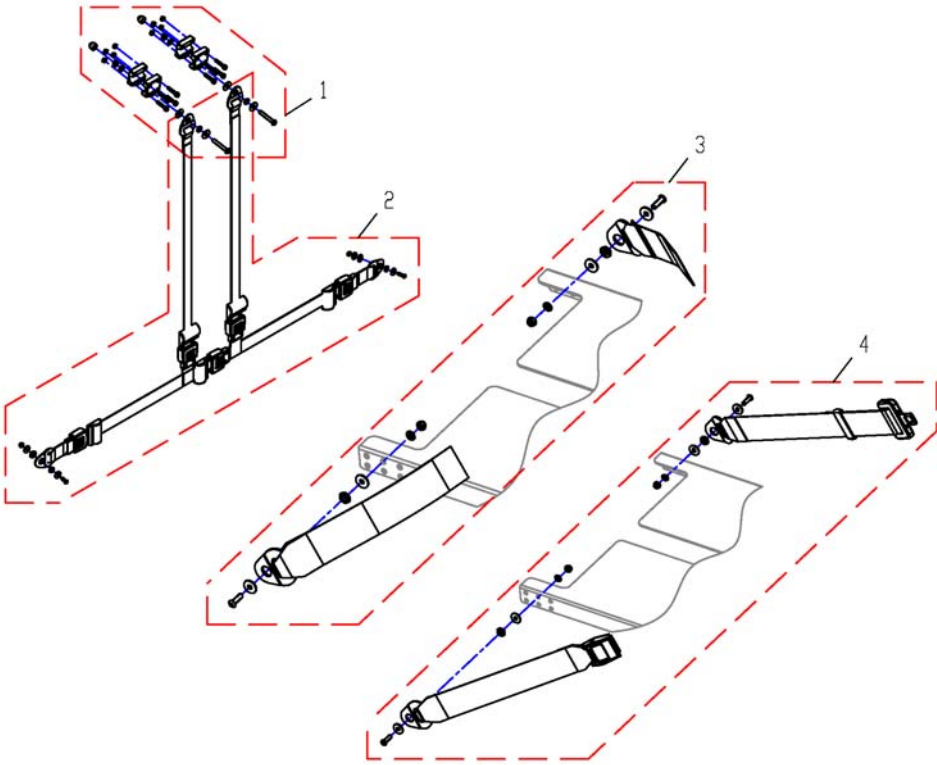
1528769X.dwg



| Pos. | Part number | Description                    | Valid from → until | Qty |
|------|-------------|--------------------------------|--------------------|-----|
| 1    | SP1530572   | Rearlight, cpl.                |                    | 1   |
| 2    | SP1530573   | Lampholder back LH             |                    | 1   |
| 3    | SP1530574   | Lampholder back RH             |                    | 1   |
| 4    | SPP31191    | Incandescent Lamp 24V/5W white |                    | 1   |
| 5    | SP1511373   | Rear Light, cpl.               |                    | 1   |

# Retaining belts

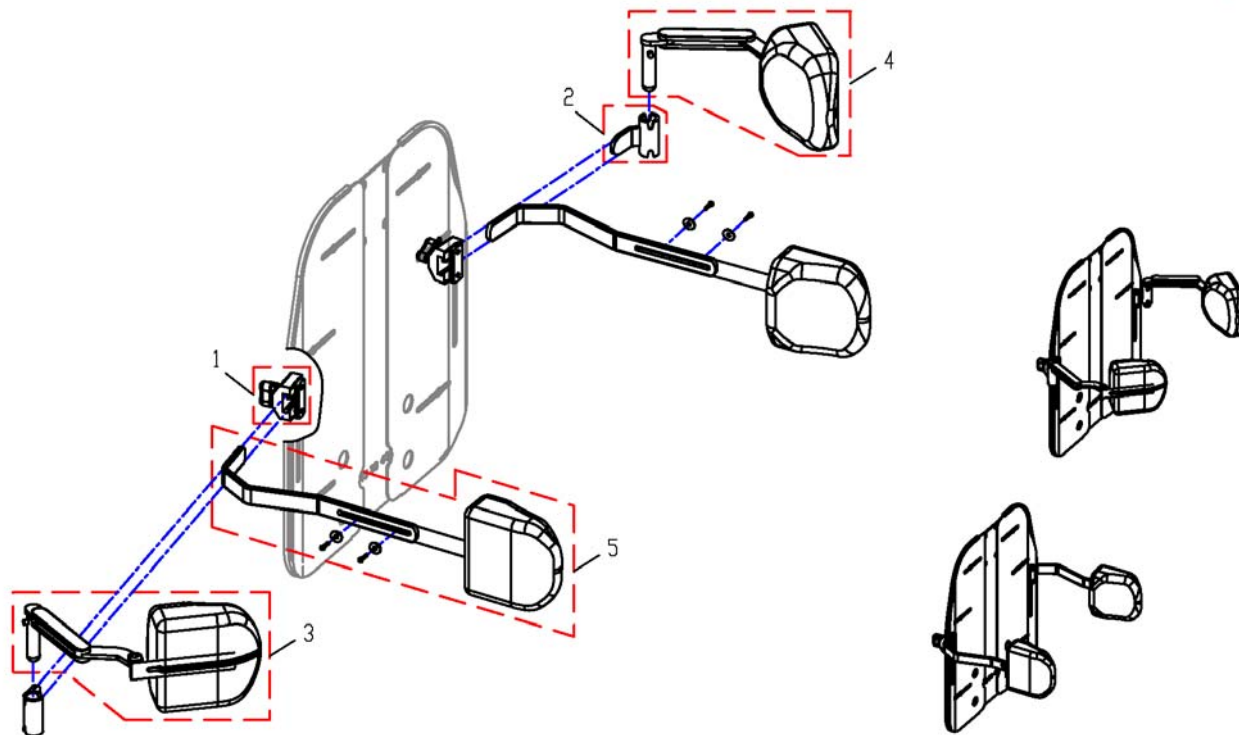
1529460X.dwg



| Pos. | Part number | Description              | Valid from → until | Qty |
|------|-------------|--------------------------|--------------------|-----|
| 1    | SP1530575   | Fastening-Kit H-Belt     |                    | 1   |
| 2    | SP1530576   | H-Belt                   |                    | 1   |
| 3    | SP1529460   | Retaining belt Velcro    |                    | 1   |
| 4    | SP1529461   | Retaining belt Auto Lock |                    | 1   |

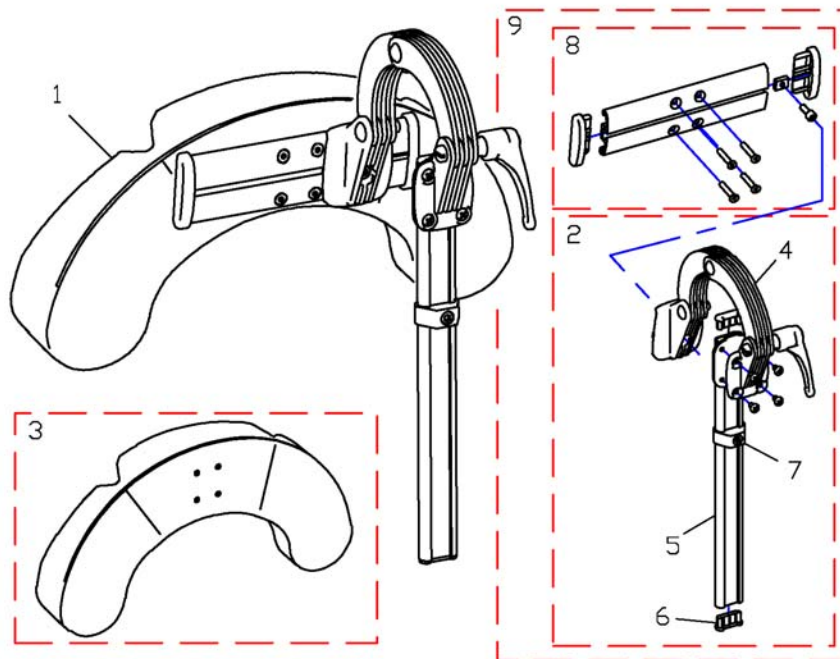
# Trunk Support

1530116X.dwg



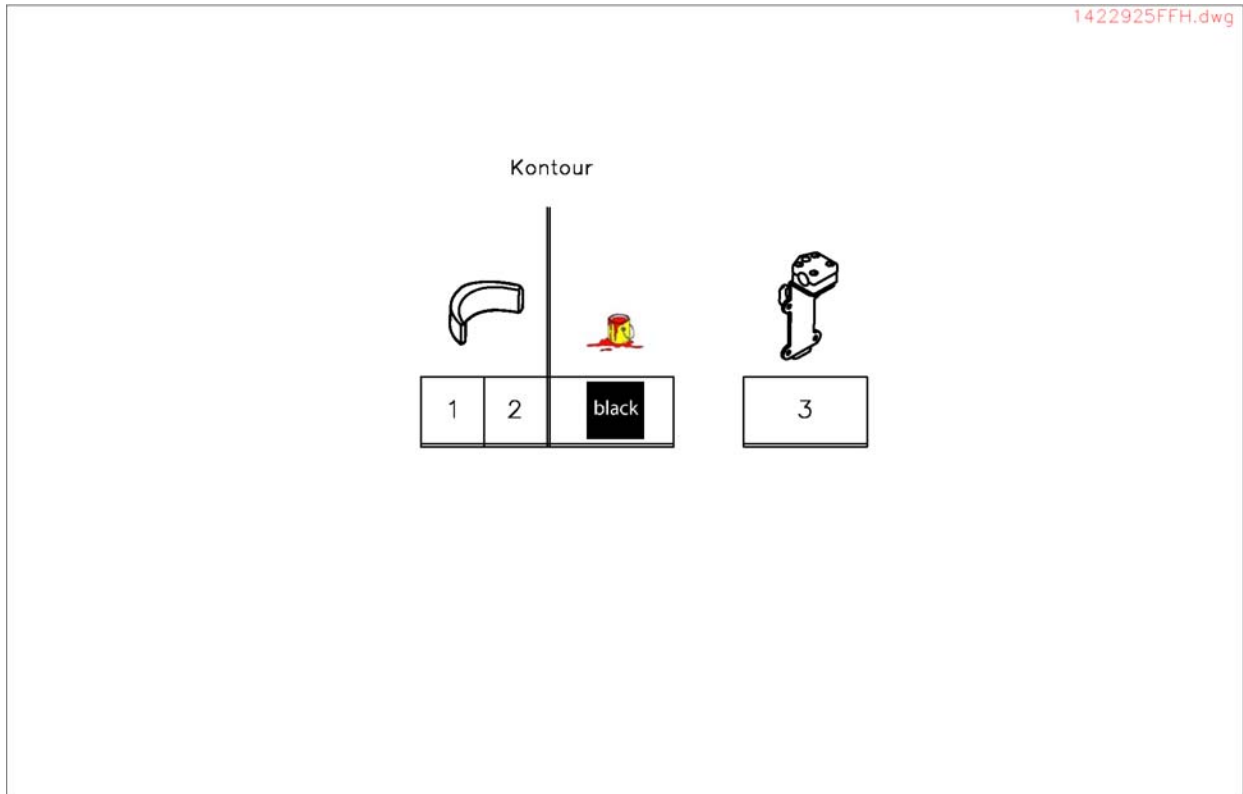
| Pos. | Part number | Description                           | Valid from → until | Qty |
|------|-------------|---------------------------------------|--------------------|-----|
| 1    | 5253170     | Holder Complete Trunk Support         |                    | 1   |
| 2    | 1444191     | ATTACHMENT, TRUNK SUPPORT "SWINGAWAY" |                    | 1   |
| 3    | 1451822     | TRUNK SUPPORT, LEFT, DARTEX BLACK     |                    | 1   |
| 4    | 1451821     | TRUNK SUPPORT, RIGHT, DARTEX BLACK    |                    | 1   |
| 5    | SP1530565   | Trunk Support RH/LH                   |                    | 1   |





| Pos. | Part number  | Description                                    | Valid from → until | Qty |
|------|--------------|--|--------------------|-----|
| 1    | 1446560      | HEAD/CHEEK SUPP. TR26 CPL. SIDEWISE ADJUSTABLE |                    | 1   |
| 2    | 1444210      | ATTACHMENT, HEADREST, CPL.                     |                    | 1   |
| 3    | 1444304      | CUSHION, CHEEK SUPPORT                         |                    | 1   |
| 4    | 1445691      | ATTACHMENT, HEADREST                           |                    | 1   |
| 5    | 1444183-0509 | POLE, HEAD-/NECKREST                           |                    | 1   |
| 6    | 5716497      | PLUG IPO "SPECIAL"                             |                    | 1   |
| 7    | 1448661      | STOP, NECK- & HEADREST, CPL.                   |                    | 1   |
| 8    | 1445838      | RAIL, HEADREST, CPL.                           |                    | 1   |
| 9    | 1485538      | KIT, HEADREST ATTACHMENT                       |                    | 1   |

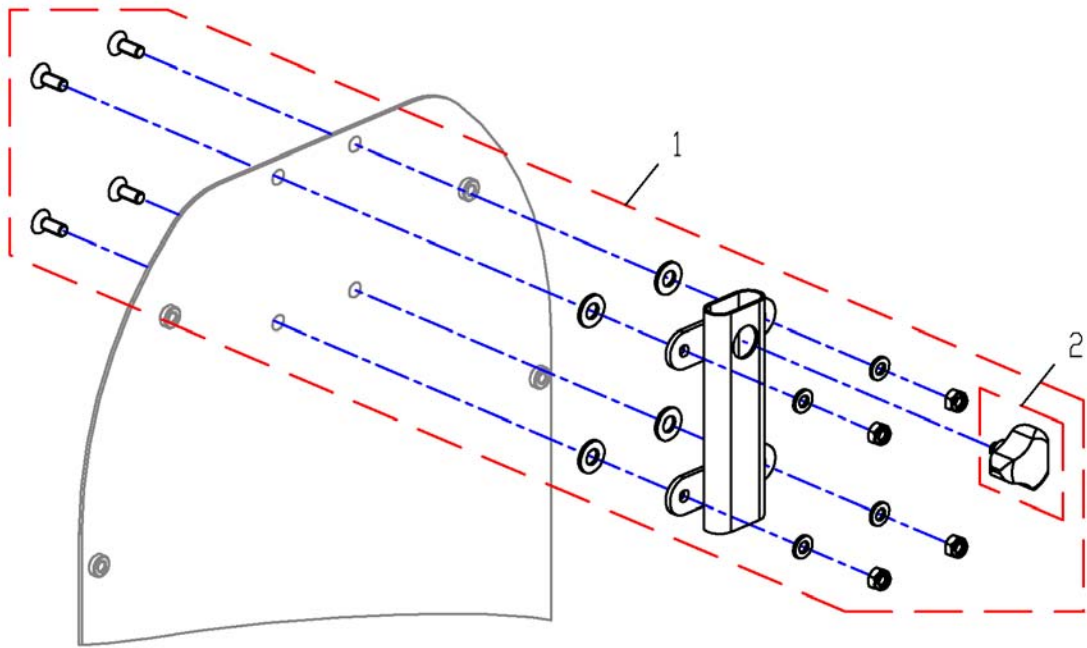
# Headrest & Bracket



| Pos. | Part number | Description                                | Valid from → until | Qty |
|------|-------------|--|--------------------|-----|
| 1    | SP1422925   | Headrest Standard/Contour Black cpl.       |                    | 1   |
| 2    | SP1422865   | Headrest Cushion Contour Black, Wo Bracket |                    | 1   |
| 3    | SP1422914   | Headrest Bracket For Standard Seat cpl.    |                    | 1   |

# Headrestholder EasyAdapt Seat

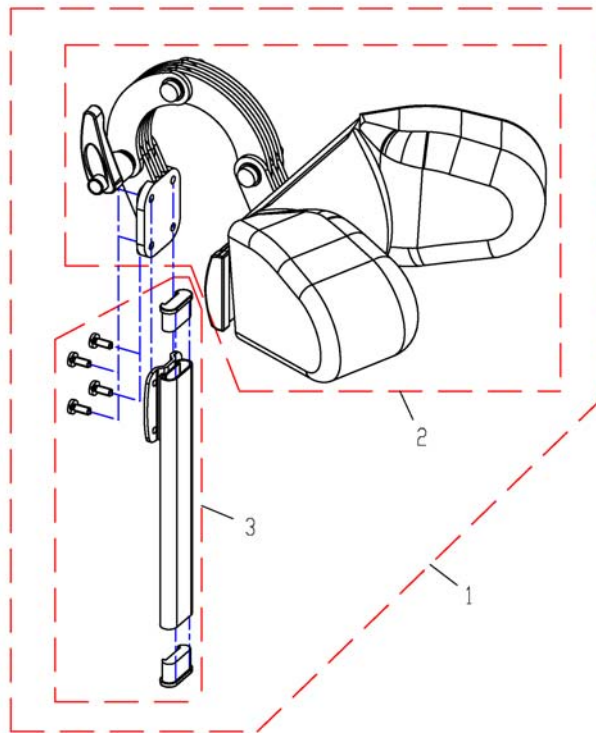
1529463X.dwg



| Pos. | Part number | Description                     | Valid from → until | Qty |
|------|-------------|---------------------------------|--------------------|-----|
| 1    | SP1529463   | Headrestholder Lotus Seat, cpl. |                    | 1   |
| 2    | 1434623     | Ball Screw Court 7,5mm          |                    | 1   |

## Headrest, sidewise adjustable

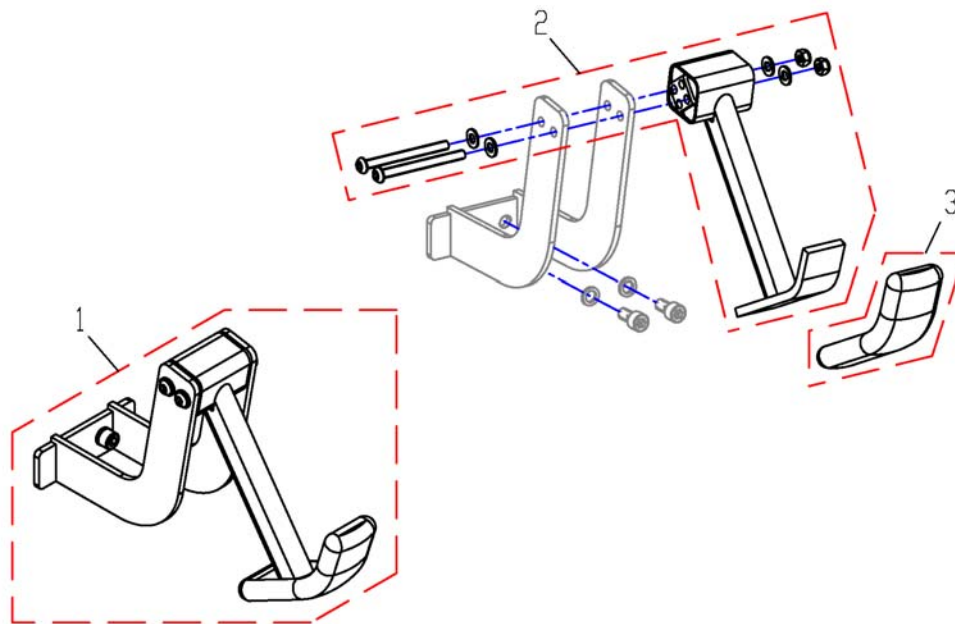
1530119X.dwg



| Pos. | Part number | Description                         | Valid from → until | Qty |
|------|-------------|-------------------------------------|--------------------|-----|
| 1    | SP1530119   | Headrest, sidewise adjustable, cpl. |                    | 1   |
| 2    | 1484381     | Headrest Contour / REA Dartex Grau  |                    | 1   |
| 3    | SP1530567   | Holder, cpl.                        |                    | 1   |

# Kerb Climber

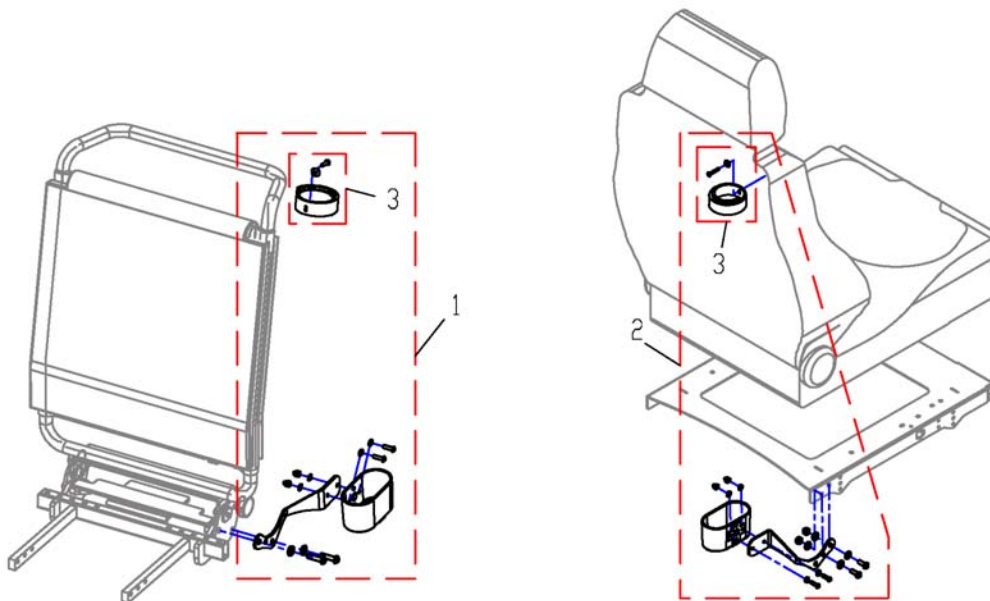
1528952X.dwg



| Pos. | Part number | Description       | Valid from → until | Qty |
|------|-------------|-------------------|--------------------|-----|
| 1    | SP1528952   | Kerb Climber cpl. |                    | 1   |
| 2    | SP1530562   | Kerb Climber      |                    | 1   |
| 3    | B11037B     | Rubber Foot       |                    | 1   |

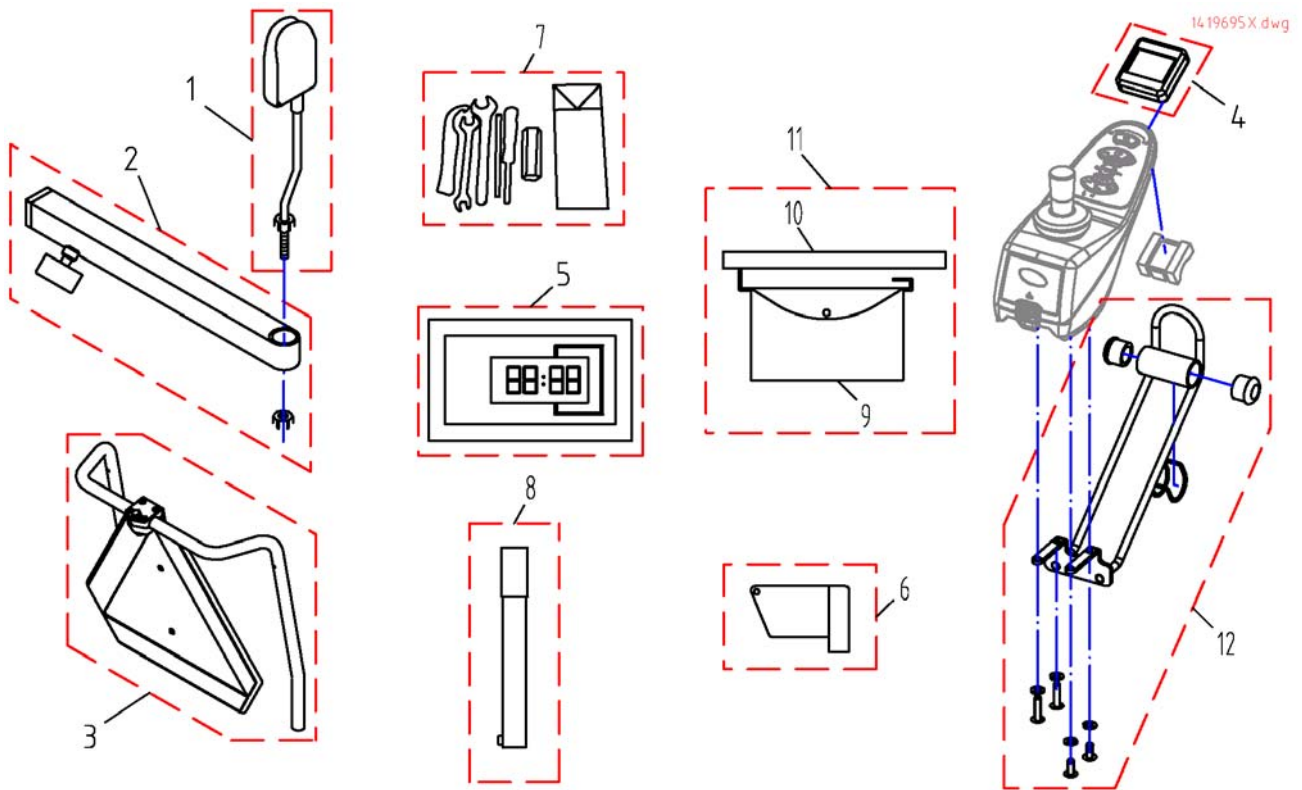
# Crutch Holder

1528444X.dwg



| Pos. | Part number | Description                 | Valid from → until | Qty |
|------|-------------|-----------------------------|--------------------|-----|
| 1    | SP1528444   | Crutch Holder,general, cpl. |                    | 1   |
| 2    | SP1529256   | Crutch Holder Recaro, cpl.  |                    | 1   |
| 3    | SP1420493   | Belt for caneholder         |                    | 1   |

# Options



| Pos. | Part number | Description                            | Valid from → until | Qty |
|------|-------------|--|--------------------|-----|
| 1    | 1422955     | Rear Mirror, cpl.                      |                    | 1   |
| 2    | SP1423435   | Rear Mirror Support Rail cpl.          |                    | 1   |
| 3    | 1430410     | KIT TRIANGLE WARNINGMISTRAL            |                    | 1   |
| 4    | SP1421843   | SIGMA SPORT SPEEDOMETER, CPL. (REM 24) |                    | 1   |
| 5    | SP1530275   | Part not for sale                      |                    | 1   |
| 6    | SP1419695   | Magnet Key REM24 With Pouch cpl.       |                    | 1   |
| 7    | SP1422868   | ON-BOARD TOOL SET WITH BAG             |                    | 1   |
| 8    | Q99991      | AIR PUMP WITH INSERT HOSE              |                    | 1   |
| 9    | SP5314967   | Bag for Armrest                        |                    | 1   |
| 10   | SP1430855   | Holder for Armrest Bag                 |                    | 1   |
| 11   | SP1430416   | Bag For Side Panel RH cpl.             |                    | 1   |
| 12   | SP1530563   | Tachometerholder REM A & REM B         |                    | 1   |
| 12   | SP1530564   | Tachometerholder REM 550               |                    | 1   |



Yes, you can.®



**Belgium & Luxemburg:**

Invacare nv, Autobaan 22, B-8210 Loppem  
Tel: (32) (0)50 83 10 10, Fax: (32) (0)50 83 10 11  
belgium@invacare.com

**Danmark:**

Invacare A/S, Sdr. Ringvej 37, DK-2605 Brøndby  
Tel: (45) (0)36 90 00 00, Fax: (45) (0)36 90 00 01  
denmark@invacare.com

**Deutschland:**

Invacare Aquatec GmbH, Alemannenstraße 10, D-88316 Isny  
Tel: (49) (0)75 62 7 00 0, Fax: (49) (0)75 62 7 00 66  
info@invacare-aquatec.com

**European Distributor Organisation:**

Invacare, Kleiststraße 49, D-32457 Porta Westfalica  
Tel: (49) (0)57 31 754 540, Fax: (49) (0)57 31 754 541  
edo@invacare.com

**España:**

Invacare SA, c/Areny s/n, Polígon Industrial de Celrà, E-17460 Celrà (Girona)  
Tel: (34) (0)972 49 32 00, Fax: (34) (0)972 49 32 20  
contactsp@invacare.com

**France:**

Invacare Poirier SAS, Route de St Roch, F-37230 Fondettes  
Tel: (33) (0)2 47 62 64 66, Fax: (33) (0)2 47 42 12 24  
contactfr@invacare.com

**Ireland:**

Invacare Ireland Ltd, Unit 5 Seatown Business Campus, Seatown Road, Swords, County Dublin - Ireland  
Tel: (353) 1 810 7084, Fax: (353) 1 810 7085  
ireland@invacare.com

**Italia:**

Invacare Mecc San s.r.l., Via dei Pini 62, I-36016 Thiene (VI)  
Tel: (39) 0445 38 00 59, Fax: (39) 0445 38 00 34  
italia@invacare.com

**Nederland:**

Invacare BV, Celsiusstraat 46, NL-6716 BZ Ede  
Tel: (31) (0)318 695 757, Fax: (31) (0)318 695 758  
nederland@invacare.com, csede@invacare.com

**Norge:**

Invacare AS, Grensesvingen 9, Postboks 6230, Etterstad, N-0603 Oslo  
Tel: (47) (0)22 57 95 00, Fax: (47) (0)22 57 95 01  
norway@invacare.com, island@invacare.com

**Österreich:**

Mobitec Mobilitätshilfen GmbH, Herzog Odilostrasse 101, A-5310 Mondsee  
Tel: (43) 6232 5535 0, Fax: (43) 6232 5535 4  
office@mobitec-austria.com, austria@invacare.com

**Portugal:**

Invacare Lda, Rua Senhora de Campanhã 105, P-4369-001 Porto  
Tel: (351) (0)225 1059 46147, Fax: (351) (0)225 1057 39  
portugal@invacare.com

**Sverige & Suomi:**

Invacare AB, Fagerstagatan 9, S-163 91 Spånga  
Tel: (46) (0)8 761 70 90, Fax: (46) (0)8 761 81 08  
sweden@invacare.com, finland@invacare.com

**Switzerland:**

Mobitec Rehab AG, Benkenstrasse 260, CH-4108 Wittenswil  
Tel: (41) (0)61 487 70 80, Fax: (41) (0)61 487 70 81  
office@mobitec-rehab.ch, switzerland@invacare.com

**United Kingdom:**

Invacare Ltd, South Road, Bridgend Industrial Estate, UK-Bridgend CF31 3PY  
Tel: (44) (0)1656 664 321, Fax: (44) (0)1656 667 532  
UK@invacare.com